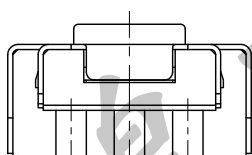
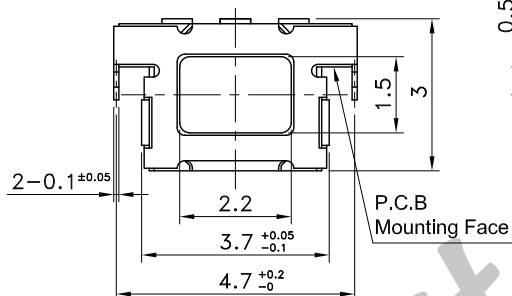
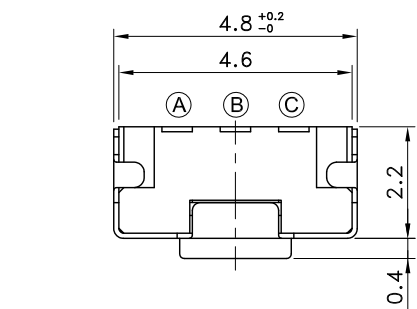
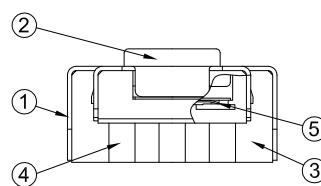
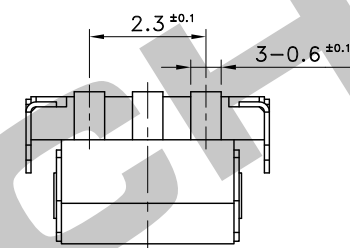
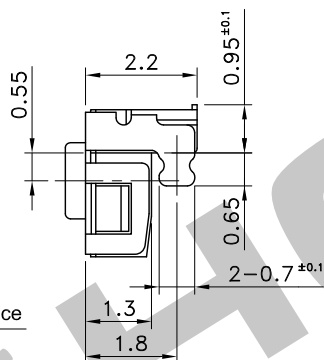


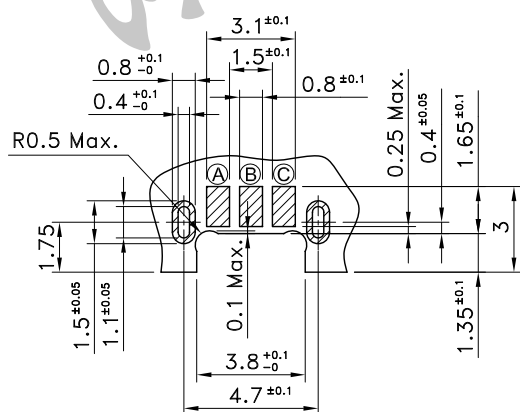
5	Contact Plate	Stainless Steel Plate	1	Ag Clad	
4	Terminal	Copper Alloy	3	Ag Plating over Ni Plating	
3	Frame	Liquid Crystal Polymer	1		Black
2	Stem	Liquid Crystal Polymer	1		Black
1	Cover	Stainless Steel Plate	1	Ag Plating over Ni Plating	
No.	Parts	Material	Q'ty	Finish	Remarks



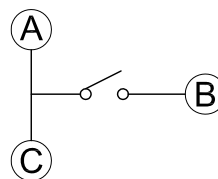
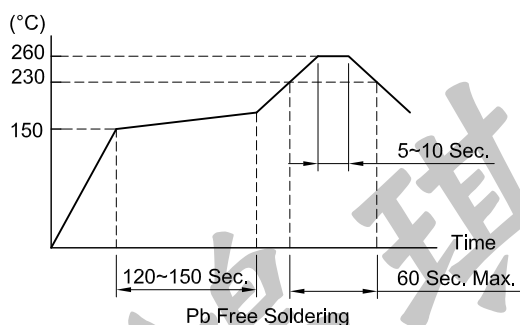
P.C.B TERMINAL POSITION



CIRCUIT ARRANGEMENT



SOLDERING CONDITIONS



SPECIFICATIONS

- Rating : DC12V 50mA
- Contact Resistance : 1,000mΩ Max.
- Insulation Resistance : 100MΩ Min. at DC 500V
- Dielectric Strength : AC 250V for 1 Minute
- Operating Force : 160±50 gf
- Stroke : 0.15±0.1 mm
- Life : 200,000 Cycles
- Taping : 2,200 Pcs/Reel
- Operating Temperature Range : -40~+85°C
- Storage Temperature Range : -40~+85°C
- Reflow Soldering Profile : According Reflow Profile 2 Times
- Manual soldering : Tip Temperature 350°C Max. Soldering Time 3 Sec. Max.

REVISION: \_\_\_\_\_ DATE: \_\_\_\_\_ REVISION: \_\_\_\_\_ DATE: \_\_\_\_\_

UNIT:mm THIRD ANGLE PROJECTION METHOD TOL. UNLESS OTHERWISE STATED:±0.2 CODE NO.: HCH-2048-1 (T)

ISSUED	CONFIRMED	<b>HCH</b> ISO9001 Certified ISO14001 Certified <b>HORNG CHIH</b> 鴻琪股份有限公司	PART NO.
<i>John</i> 2018.07.03	<i>Elvis</i> 2018.07.03		<b>PTS-158</b>