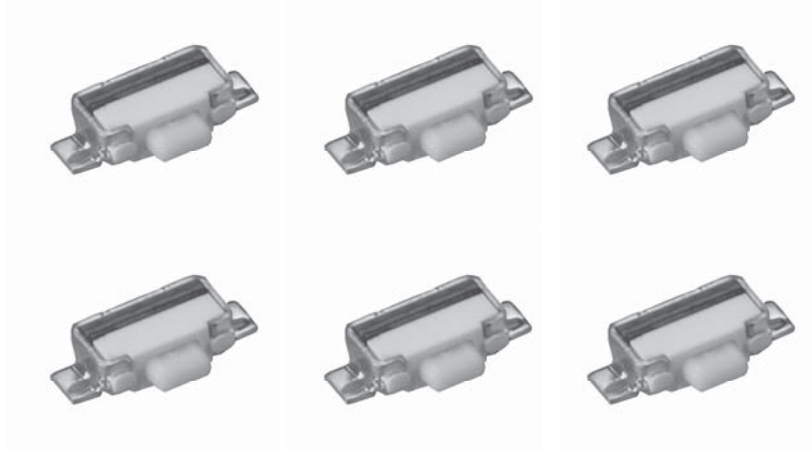


# PUSH SWITCHES

## PTS-157 WITH TAB



- Rating: DC12V 20mA
- Stroke: 0.12mm
- Force: 160±50gf
- Life: 200,000 Cycles
- Package: 3,000 Pcs/Reel

Circuit



Pad Layout

