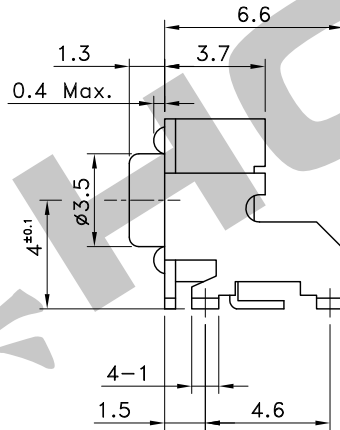
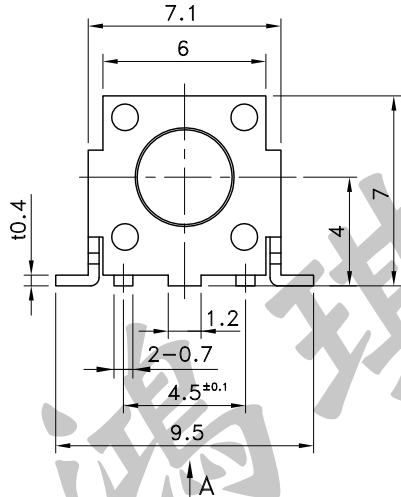
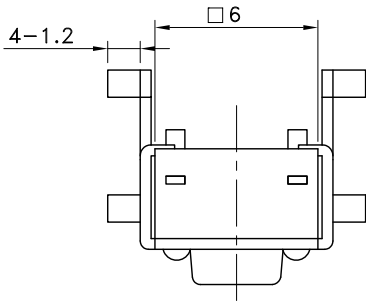
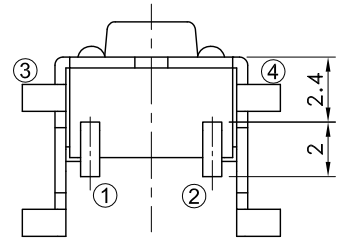


5	Contact Plate	Stainless Steel	Ag Clad	
4	Terminal	Brass	Ag Plating	
3	Stem	PA6T		UL94HB, Dark Gray
2	Bracket	Tin Plate	Sn Plating	
1	Case	PA6T		UL94HB, Dark Gray
No.	Parts	Material	Finish	Remarks

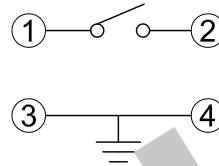
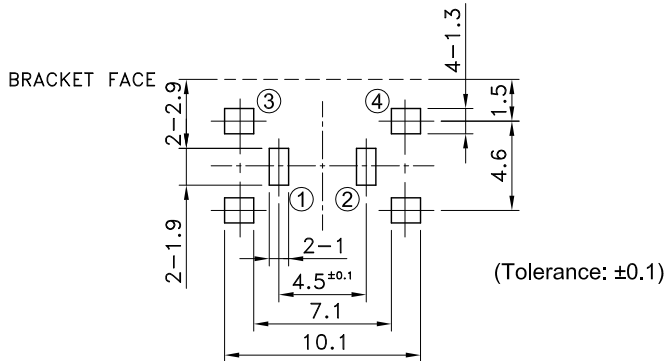


VIEW A

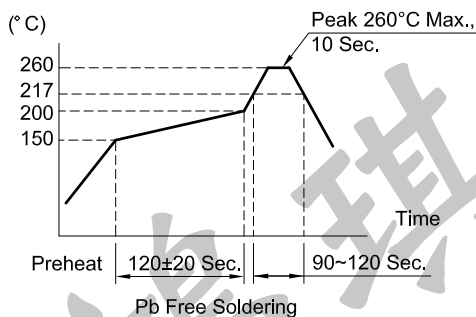


P.C.B TERMINAL POSITION

CIRCUIT ARRANGEMENT



SOLDERING CONDITIONS



SPECIFICATIONS

- Rating : DC 12V 50 mA
- Contact Resistance : 100mΩ Max. at DC 5V 100mA
- Insulation Resistance : 100MΩ Min. at DC 100V
- Dielectric Strength : AC 250V for 1 Minute
- Operating Force : 100±30gf
- Stroke : 0.25^{+0.02} mm
- Life : 100,000 Cycles
- Package : 650 Pcs/Reel
- Operation Temperature Range : -40~+85°C
- Storage Temperature Range : -40~+90°C

REVISION:	DATE:	REVISION:	DATE:
-----------	-------	-----------	-------

UNIT:mm	THIRD ANGLE PROJECTION METHOD	TOL. UNLESS OTHERWISE STATED:±0.3	CODE NO.:HCH-1859-3
---------	-------------------------------	-----------------------------------	---------------------

ISSUED	CONFIRMED	HORNG CHIH 鴻琪股份有限公司	PART NO.
John	Elvis		PTS-155
2025.10.09	2025.10.09		