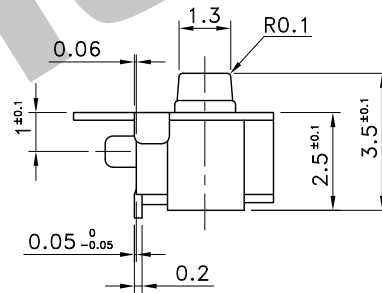
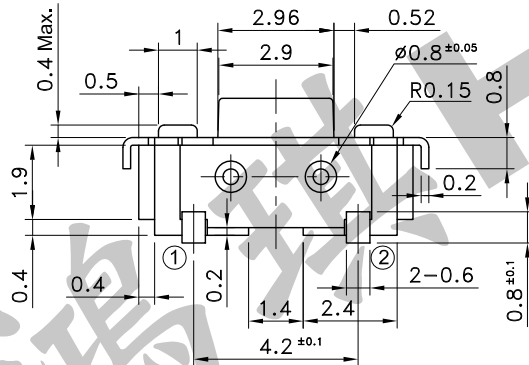
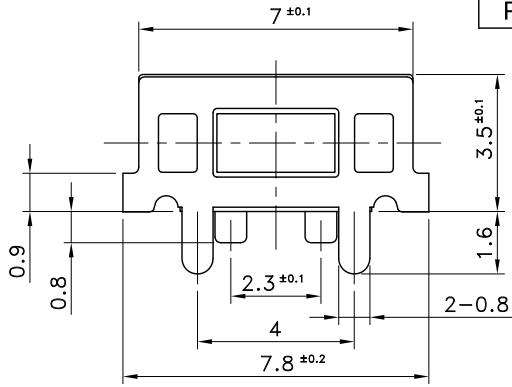
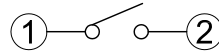
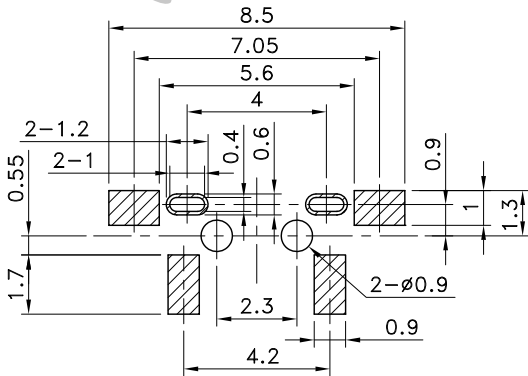


Part No.	Operating Force	Life	Stem Color
PTS-147-A	160±50gf	40,000 Cycles	Black
PTS-147-B	260±50gf	30,000 Cycles	Red



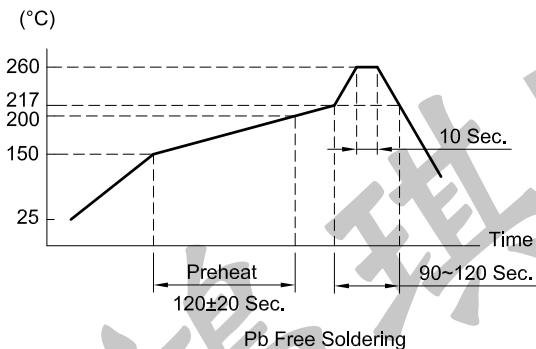
P.C.B TERMINAL POSITION

CIRCUIT ARRANGEMENT



SOLDERING CONDITIONS

SPECIFICATIONS



- Rating : DC 12V 50mA
- Contact Resistance : 100mΩ Max.
- Insulation Resistance : 100MΩ Min. at DC 100V
- Dielectric strength : AC 250V for 1 Minute
- Stroke : 0.25±0.1mm
- Package : 1,500 Pcs/Reel
- Operation Temperature Range : -20~+70°C
- Storage Temperature Range : -30~+80°C
- Manual soldering : Tip Temperature 350±5°C
Soldering Time 5 Sec.

REVISION:		DATE:		REVISION:		DATE:	
UNIT:mm	THIRD ANGLE PROJECTION METHOD	TOL. UNLESS OTHERWISE STATED:±0.3		CODE NO.:HCH-1423-3 (N)			
ISSUED	CONFIRMED	HORNG CHIH 鴻琪股份有限公司		PART NO.			
John	Elvis			PTS-147			
2021.05.07	2021.05.07						