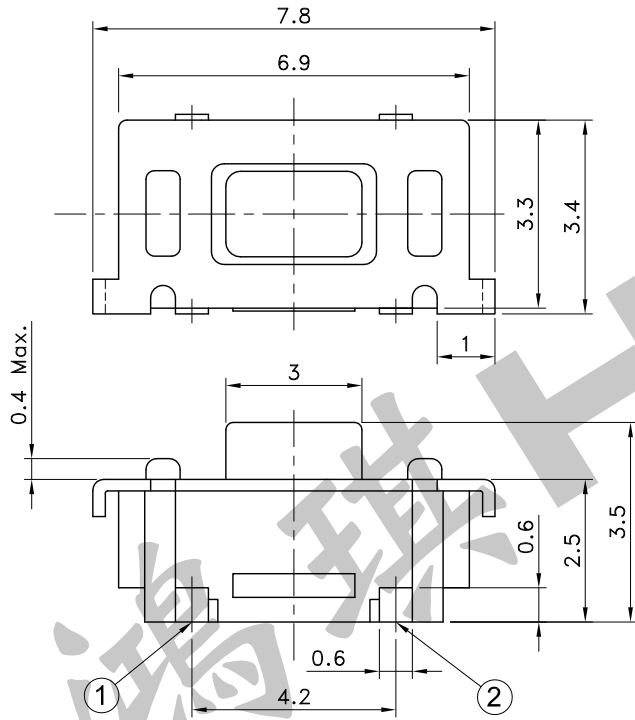
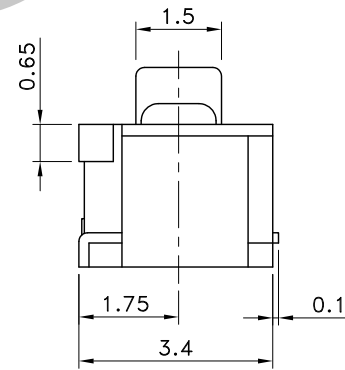


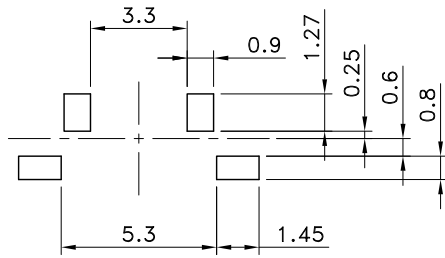
5	Contact	Stainless Steel	Ag Clad	
4	Terminal	Brass	Ag Plating	
3	Stem	PA6T		UL94V-0, Gray
2	Cover	Tin Plate	Sn Plating	
1	Case	PA6T		UL94V-0, Ivory
No.	Parts	Material	Finish	Remarks



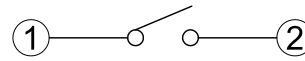
P.C.B TERMINAL POSITION



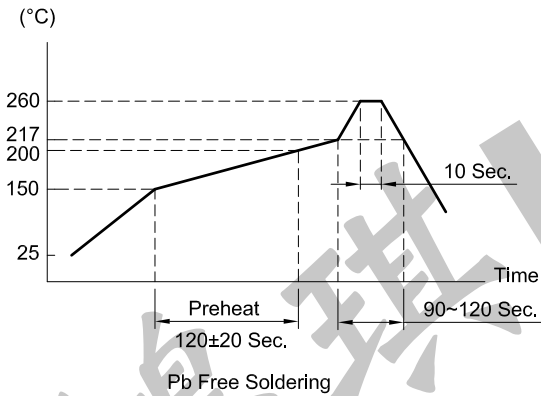
CIRCUIT ARRANGEMENT



REFLOW SOLDERING CONDITIONS



SPECIFICATIONS



1. Rating : DC 12V 50mA
2. Contact Resistance : 100mΩ Max.
3. Insulation Resistance : 100MΩ Min.
4. Dielectric strength : AC 250V for 1 Minute
5. Operating Force : 130±50gf
6. Stroke : 0.25<sup>+0.2</sup><sub>-0.1</sub>mm
7. Life : 50,000 cycles
8. Taping package : 2,300 Pcs/Reel
9. Operation Temperature Range : -20~70°C
10. Reflow soldering : According Reflow Profile Max. 2 Times

REVISION:	DATE:	REVISION:	DATE:
UNIT:mm	THIRD ANGLE PROJECTION METHOD	TOL. UNLESS OTHERWISE STATED:±0.3	CODE NO.:HCH-857-4
ISSUED	CONFIRMED	PART NO.	
<i>John</i>	<i>Elvis</i>	<b>PTS-146-A</b>	
2023.07.12	2023.07.12	<b>HCH</b> HORNG CHIH ISO9001 Certified ISO14001 Certified 鴻琪股份有限公司	