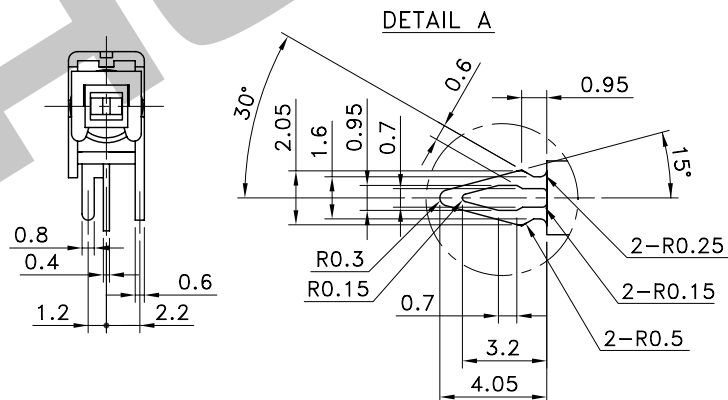
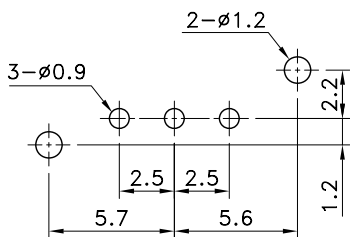


P.C.B TERMINAL POSITION



CIRCUIT ARRANGEMENT



SOLDERING CONDITIONS

	Temperature (°C)	Time (Sec.)
Dip Soldering	260±5	5±1
Manual Soldering	350±10	3

SPECIFICATIONS

1. Rating : DC 30V 300mA
2. Contact Resistance : 50mΩ Max. at DC 5V 1A
3. Insulation Resistance : 100MΩ Min.at DC 500V
4. Dielectric Strength : AC 500V for 1 Minute
5. Stroke : Full 3.5 Lock 2.5mm
6. Electrical Life : 5,000 Cycles
7. Mechanical Life : 10,000 Cycles
8. Operating Temperature Range : -10~+60°C

No.	Parts	Material	Finish	Remark
9	Clip	Phosphor Bronze	Ag Clad	
8	Coil Spring	Stainless Steel		
7	Cam Stick	Phosphor Bronze		
6	Spring Plate	Phosphor Bronze		
5	Spring Stopper	Cold Rolled Carbon Steel	Sn Plating	
4	Terminal	Brass	Ag Plating	
3	Insulator	Bakelite		UL 94HB
2	Push Plate	Acetal		UL 94HB
1	Frame	Tin Plate	Sn Plating	

Part No.	Operating Force	Operating	Push Color
PTS-138S	230±100gf	PUSH TO LOCK	Blue
PTS-138N	230±100gf	PUSH NO LOCK	Black
PTS-138P	460±150gf	PUSH TO LOCK	Red
PTS-138R	460±150gf	PUSH NO LOCK	Gray

REVISION:	DATE:	REVISION:	DATE:
UNIT:mm	THIRD ANGLE PROJECTION METHOD	TOL. UNLESS OTHERWISE STATED:±0.3	CODE NO.:HCH-1799
ISSUED	CONFIRMED	PART NO.	
John	Elvis	PTS-138	
2011.11.30	2011.11.30	HORNG CHIH 鴻琪股份有限公司	