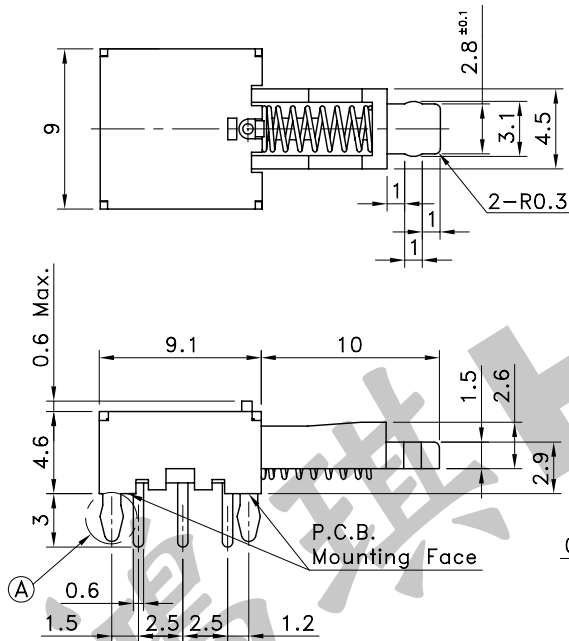
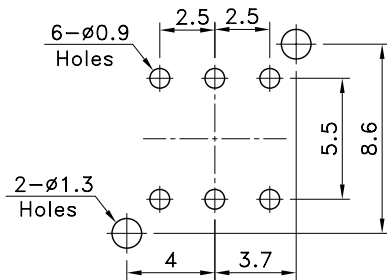


6	Clip	Phosphor Bronze	Ag Clad	
5	Coil Spring	Stainless Steel		
4	Terminal	Brass	Ag Plating	
3	Insulator	Bakelite		UL 94HB
2	Push	Acetal		UL 94HB
1	Frame	Cold Rolled Carbon Steel	Sn Plating	
No.	Parts	Material	Finish	Remark



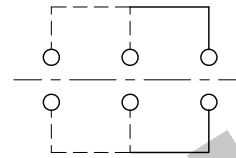
P.C.B TERMINAL POSITION

CIRCUIT ARRANGEMENT



SOLDERING CONDITIONS

	Temperature (°C)	Time (Sec.)
Manual Soldering	350±10	3



SPECIFICATIONS

- Rating : DC 30V 300mA
- Contact Resistance : 50mΩ Max. at DC 5V 1A
- Insulation Resistance : 100MΩ Min.at DC 500V
- Dielectric Strength : AC 500V for 1 Minute
- Operating Force : 200±100 gf
- Stroke : 2.5mm
- Electrical Life : 5,000 Cycles
- Mechanical Life : 10,000 Cycles
- Operating Temperature Range :-10~+60°C

REVISION:	DATE:	REVISION:	DATE:
UNIT:mm	THIRD ANGLE PROJECTION METHOD	TOL. UNLESS OTHERWISE STATED:±0.3	CODE NO.:HCH-1013-2
ISSUED	CONFIRMED	PART NO.	
John	Elvis	PTS-132N	
2013.02.08	2013.02.08	HORNG CHIH 鴻琪股份有限公司	