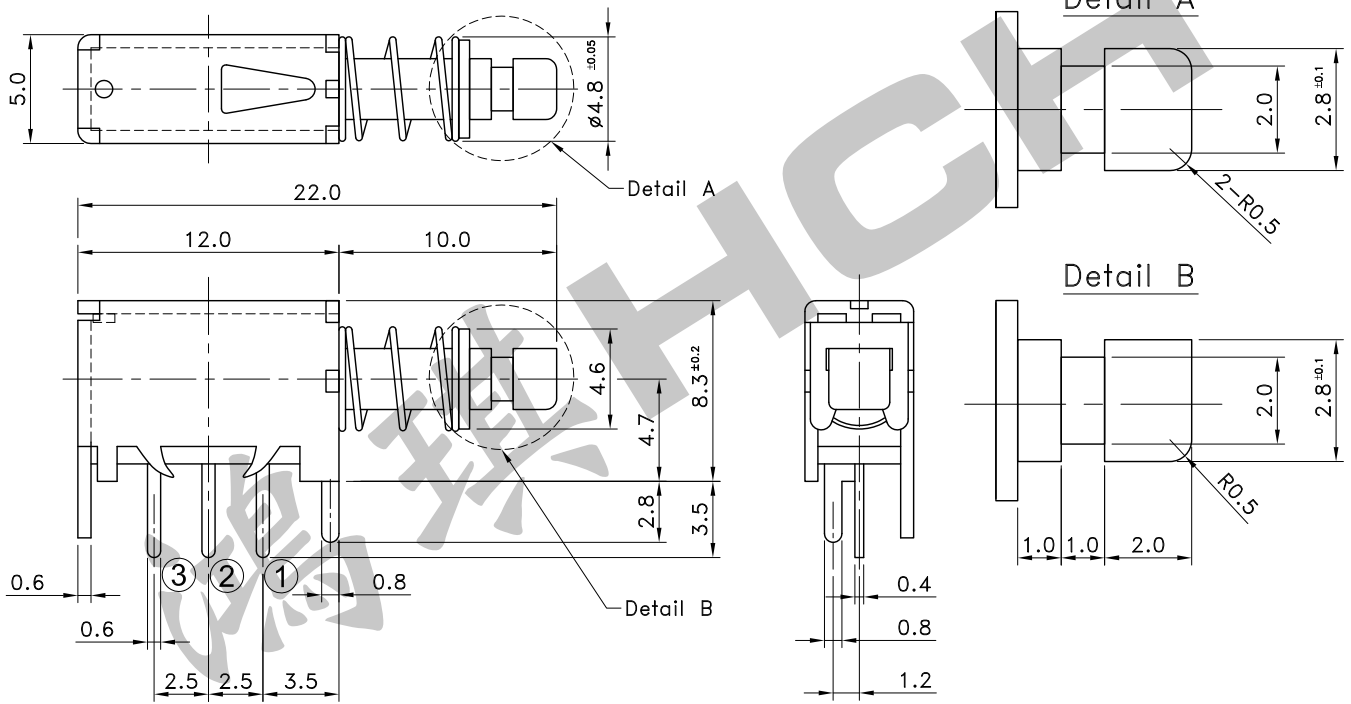
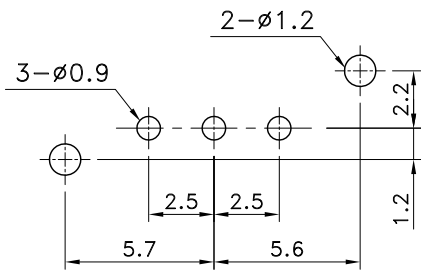


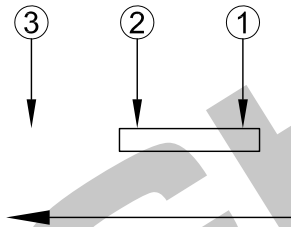
Part No.	Operating	Push Color
PTS-130N	Push No Lock	Black
PTS-130S	Push To Lock	Blue



P.C.B TERMINAL POSITION



CIRCUIT ARRANGEMENT



SOLDERING CONDITIONS

	Temperature (°C)	Time (Sec.)
Dip Soldering	260±5	5±1
Manual Soldering	350±10	3

SPECIFICATIONS

- Rating : DC 30V 300mA
- Contact Resistance : 50mΩ Max.
- Insulation Resistance : 100MΩ Min. at DC 500V
- Dielectric Strength : AC 500V for 1 Minute
- Operating Force : 230±100gf
- Circuit : 1Pole 2 Position
- Stroke : Full 3.5mm Lock 2.5mm
- Life : 10,000 Cycles
- Operating Temperature Range : -25~+70°C

REVISION:		DATE:		REVISION:		DATE:	
UNIT:mm	THIRD ANGLE PROJECTION METHOD	TOL. UNLESS OTHERWISE STATED:±0.3		CODE NO.:HCH-415-5			
ISSUED	CONFIRMED	 <b>HCH</b> HORNG CHIH ISO9001 Certified ISO14001 Certified 鴻琪股份有限公司				PART NO.	
John	Elvis					PTS-130	
2025.10.09	2025.10.09						