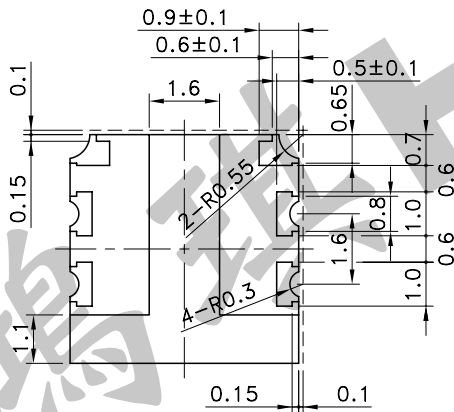
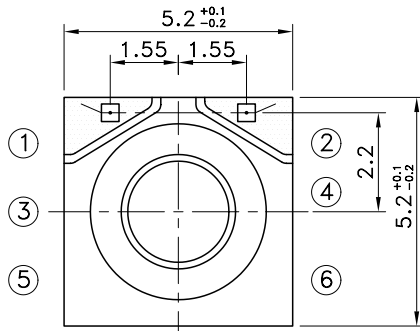
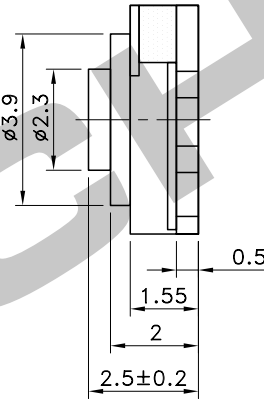


Part No.	LED Color
PTS-120-L22	Red/Red
PTS-120-L55	Green/Green
PTS-120-L88	Yellow/Yellow



P.C.B TERMINAL POSITION

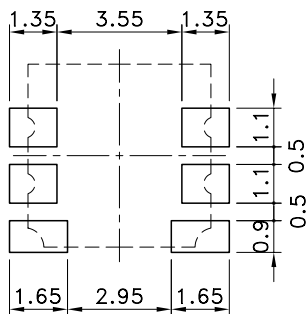


LED Portion (Per LED chip) (Ta 25°C)

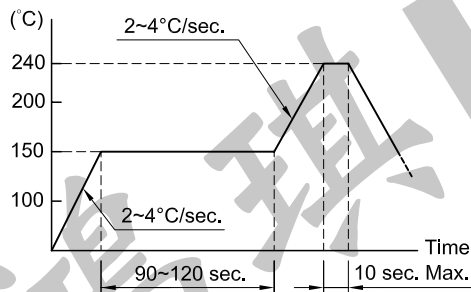
Item	Symbol	Rating
Power Dissipation	(mW) P <sub>D</sub>	65
Forward Current	(mA) I <sub>F</sub>	25
Pulse Forward Current	(mA) I <sub>FP</sub>	100*
Reverse Voltage	(V) V <sub>R</sub>	5

\*Condition for I<sub>FP</sub> is pulse of 1/10 duty & 0.1msec width.

CIRCUIT ARRANGEMENT

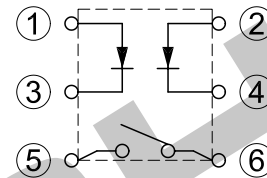


REFLOW SOLDERING CONDITIONS



SPECIFICATIONS

- |                                |                       |
|--------------------------------|-----------------------|
| 1. Rating                      | :DC 12V 20mA          |
| 2. Contact Resistance          | :100mΩ Max.           |
| 3. Insulation Resistance       | :100MΩ Min.           |
| 4. Dielectric strength         | :AC 250V for 1 Minute |
| 5. Operating Force             | :200±50gf             |
| 6. Stroke                      | :0.2±0.1mm            |
| 7. Life                        | :50,000 Cycles        |
| 8. Taping Package              | :3,000 Pcs/Reel       |
| 9. Operating Temperature Range | :-30~+80°C            |



REVISION: \_\_\_\_\_ DATE: \_\_\_\_\_ REVISION: \_\_\_\_\_ DATE: \_\_\_\_\_

UNIT:mm THIRD ANGLE PROJECTION METHOD TOL. UNLESS OTHERWISE STATED:±0.3 CODE NO.: HCH-351

ISSUED	CONFIRMED	<b>HCH</b> ISO9001 Certified <b>HORNG CHIH</b> 鴻琪股份有限公司	PART NO.
John	Joey		PTS-120
2003.05.23	2003.05.23		