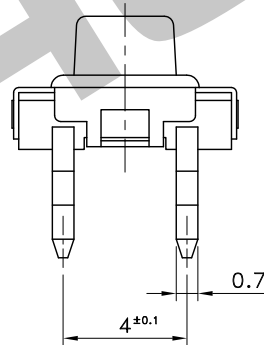
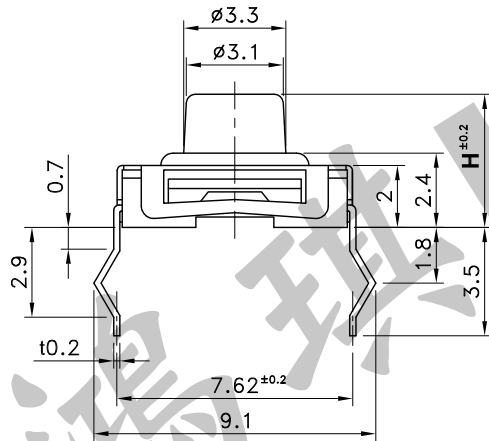
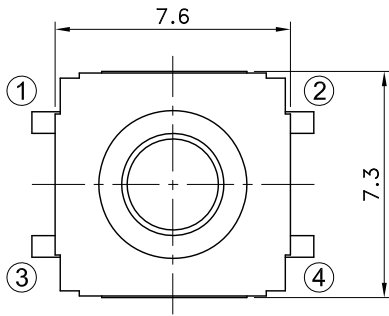


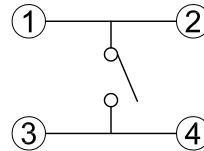
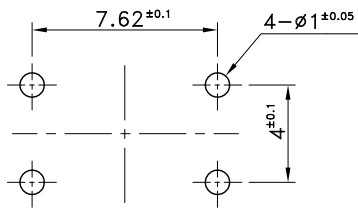
6	Sealed Rubber	Silicon		
5	Dome Contact	Stainless Steel	Ag Clad	
4	Terminal	Brass	Ag Plating	
3	Stem	Nylon 6T		Black, UL 94V-0
2	Cover	Nickel Silver		
1	Case	Nylon 46		Black, UL 94V-0
No.	Parts	Material	Finish	Remarks

Part No.	Height (H)
PTS-116-A1	H=4.3mm
PTS-116-B1	H=5.0mm



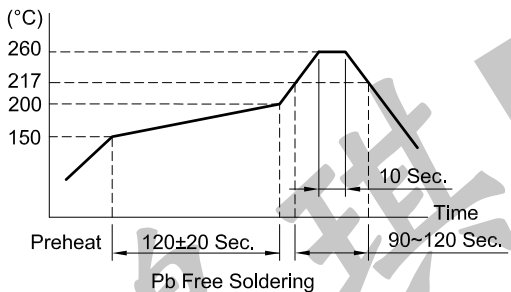
P.C.B TERMINAL POSITION

CIRCUIT ARRANGEMENT



SOLDERING CONDITIONS

SPECIFICATIONS



- Rating : DC 12V 50mA
- Contact Resistance : 100mΩ Max.
- Insulation Resistance : 100MΩ Min. at DC 100V
- Dielectric Strength : AC 250V for 1 minute
- Operating Force : 160±50gf
- Stroke : 0.35±0.2mm
- Life : 100,000 Cycles
- Operating Temperature Range : -40~+85°C
- Storage Temperature Range : -30~+80°C
- Reflow soldering : According Reflow Profile
Max. 2 Times
- Sealed Type : IP67

REVISION:		DATE:		REVISION:		DATE:	
UNIT:mm		THIRD ANGLE PROJECTION METHOD		TOL. UNLESS OTHERWISE STATED:±0.3		CODE NO.:HCH-1921-1	
ISSUED		CONFIRMED		PART NO.		PTS-116	
John		Elvis		HCH HORNG CHIH			
2015.09.03		2015.09.03		ISO9001 Certified ISO14001 Certified 鴻琪股份有限公司			