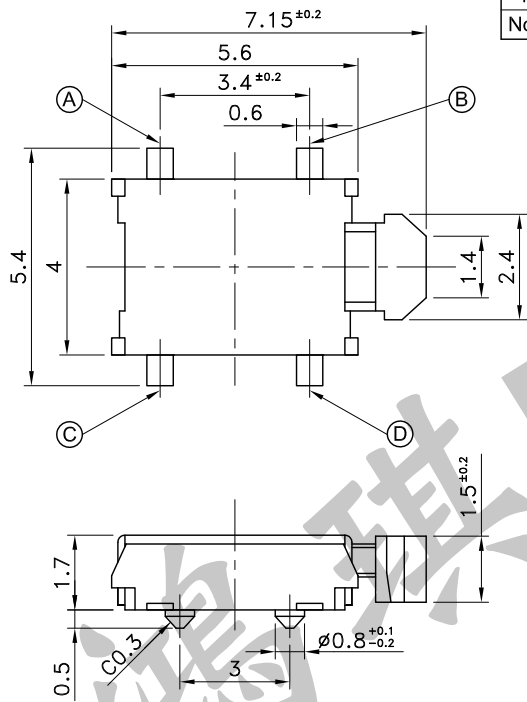
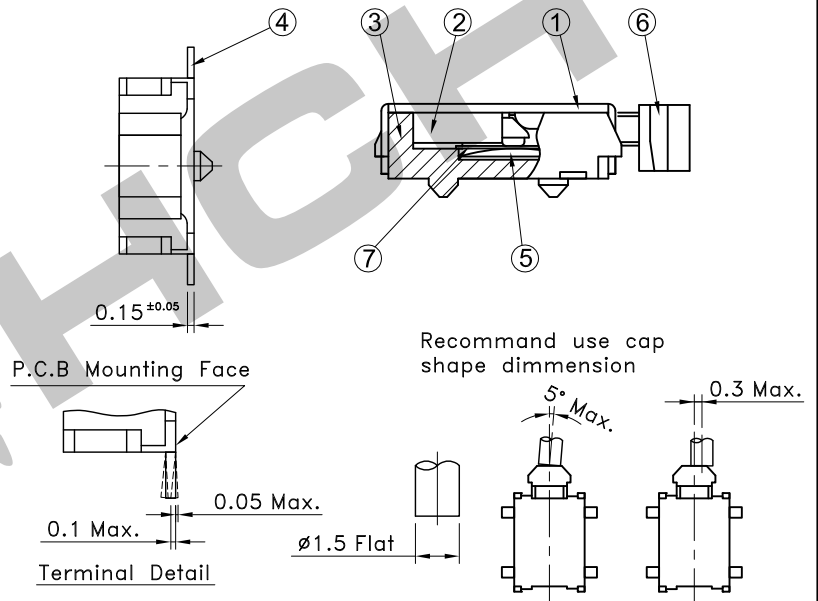


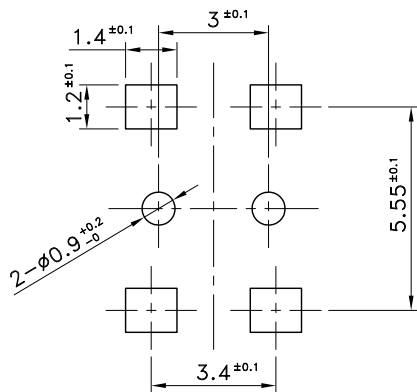
7	Tape	Polyimide	1		
6	Stem	Liquid Crystal Polymer	1		Black
5	Contact Plate	Stainless Steel Plate	1	Ag Plating	
4	Terminal	Copper Alloy	4	Ag Plating over Ni Plating	
3	Frame	Liquid Crystal Polymer	1		Black
2	Stopper	Liquid Crystal Polymer	1		Black
1	Cover	Stainless Steel Plate	1		
No.	Parts	Material	Q'ty	Finish	Remarks



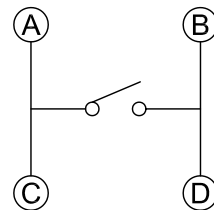
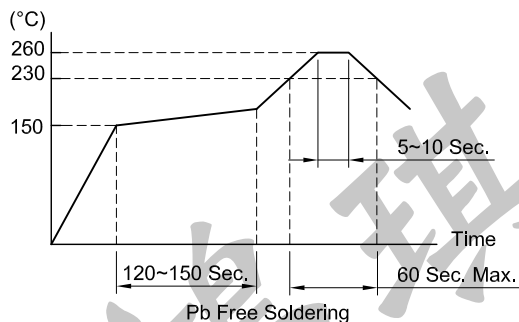
P.C.B TERMINAL POSITION



CIRCUIT ARRANGEMENT



SOLDERING CONDITIONS



SPECIFICATIONS

- Rating : DC 12V 50mA
- Contact Resistance : 500mΩ Max.
- Insulation Resistance : 100MΩ Min. at DC 500V
- Dielectric Strength : AC 250V for 1 minute
- Operating Force : 220±50gf
- Stroke : 0.2±0.12mm
- Life : 50,000 Cycles
- Taping : 3,300 Pcs/Reel
- Operating Temperature Range : -40~+85°C
- Storage Temperature Range : -40~+85°C (Bulk)
: -20~+60°C (Taping)
- Reflow Soldering Profile : According Reflow Profile
Max. 2 Times
- Manual soldering : Tip Temperature 350°C Max.
Soldering Time 3 Sec. Max.

REVISION:	DATE:	REVISION:	DATE:
-----------	-------	-----------	-------

UNIT:mm	THIRD ANGLE PROJECTION METHOD	TOL. UNLESS OTHERWISE STATED:±0.3	CODE NO.:HCH-190-7
---------	-------------------------------	-----------------------------------	--------------------

ISSUED	CONFIRMED	HCH ISO9001 Certified ISO14001 Certified HORNG CHIH 鴻琪股份有限公司	PART NO.
John	Elvis		PTS-103
2017.04.19	2017.04.19		