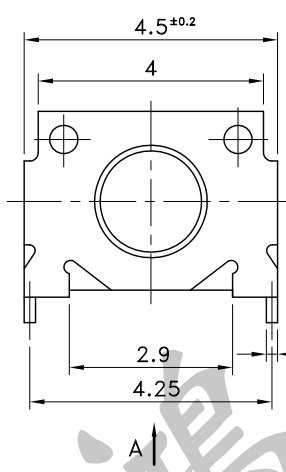
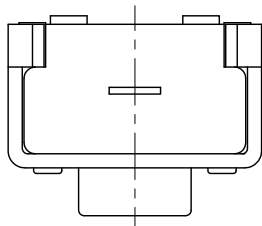
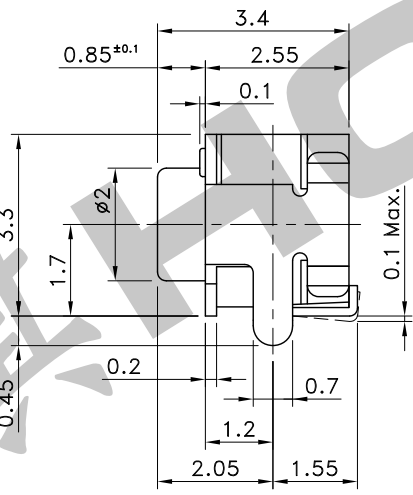


5	Contact	Stainless Steel	Ag Clad	
4	Terminal	Brass	Ag Plating	
3	Stem	PPA		UL 94HB
2	Bracket	Brass	Sn Plating	
1	Case	PPA		Black, UL 94V-0
No.	Parts	Material	Finish	Remarks

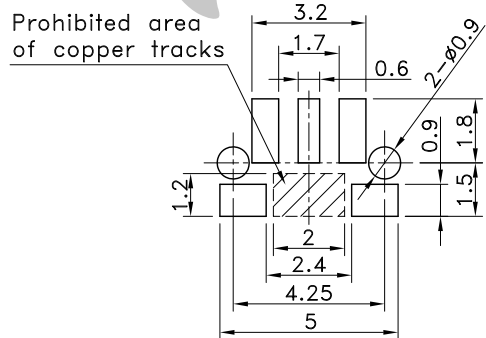
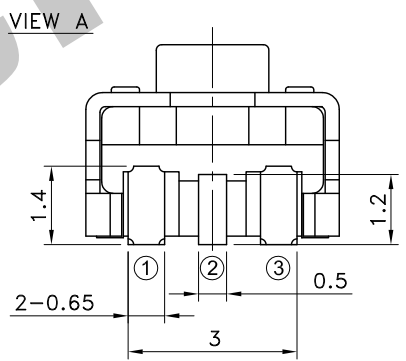
Part No.	Operating Force	Life	Stem Color
PTS-099	160±50 gf	100,000 Cycles	Ivory
PTS-099-A	80±40 gf	100,000 Cycles	Gray
PTS-099-K	160±50 gf	500,000 Cycles	Yellow Green



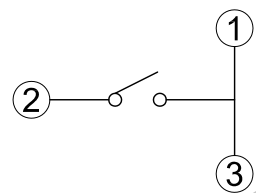
P.C.B TERMINAL POSITION



CIRCUIT ARRANGEMENT

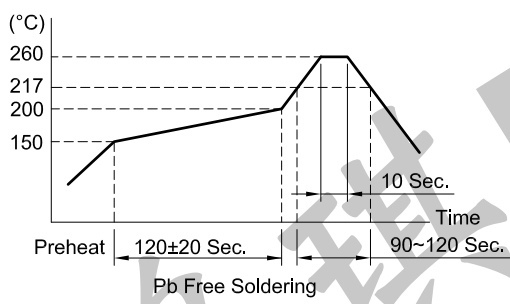


SOLDERING CONDITIONS



SPECIFICATIONS

- Rating : DC 12V 50mA
- Contact Resistance : 500mΩ Max.
- Insulation Resistance : 100MΩ Min. at DC 100V
- Dielectric Strength : AC 250V for 1 minute
- Stroke : 0.2±0.1mm
- Taping : 2,000 Pcs/Reel
- Operating Temperature Range : -40~+85°C
- Storage Temperature Range : -40~+85°C
- Reflow soldering : According Reflow Profile Max. 2 Times
- Manual soldering : Tip Temperature 350°C Max. Soldering Time Within 3 Sec.



REVISION:	DATE:	REVISION:	DATE:
UNIT:mm	THIRD ANGLE PROJECTION METHOD	TOL. UNLESS OTHERWISE STATED:±0.3	CODE NO.:HCH-1219-9
ISSUED	CONFIRMED	PART NO.	
<i>John</i>	<i>Elvis</i>	PTS-099 PTS-099-A PTS-099-K	
2021.11.01	2021.11.01	HCH ISO9001 Certified ISO14001 Certified HORNG CHIH 鴻琪股份有限公司	