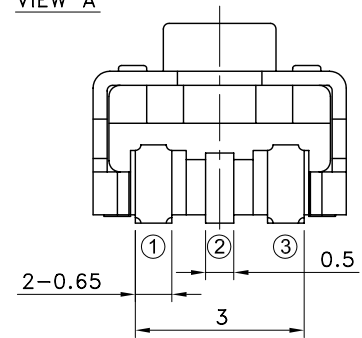
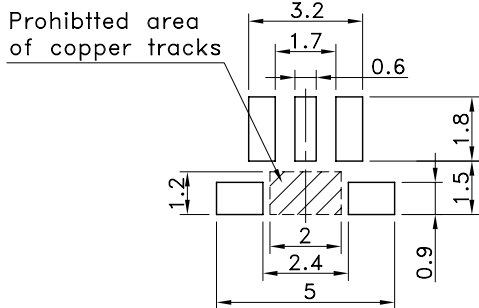


P.C.B TERMINAL POSITION

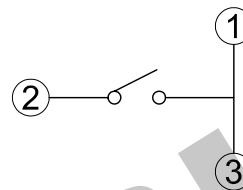
VIEW A



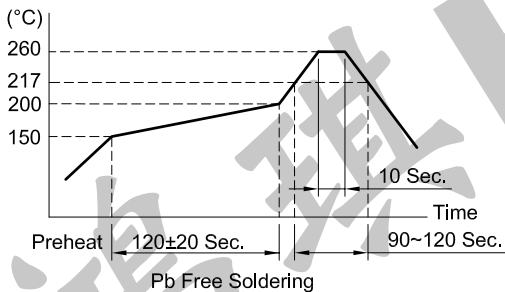
CIRCUIT ARRANGEMENT



SOLDERING CONDITIONS



SPECIFICATIONS



- 1. Rating : DC 12V 50mA
- 2. Contact Resistance : 500mΩ Max.
- 3. Insulation Resistance : 100MΩ Min. at DC 100V
- 4. Dielectric Strength : AC 250V for 1 minute
- 5. Operating Force : 160±50gf
- 6. Stroke : 0.2±0.1mm
- 7. Life : 100,000 Cycles
- 8. Taping : 2,000 Pcs/Reel
- 9. Operating Temperature Range : -40~+85°C
- 10. Storage Temperature Range : -30~+80°C
- 11. Reflow soldering : According Reflow Profile  
Max. 2 Times

REVISION:		DATE:		REVISION:		DATE:	
UNIT:mm	THIRD ANGLE PROJECTION METHOD			TOL. UNLESS OTHERWISE STATED:±0.3		CODE NO.:HCH-1355-2	
ISSUED	CONFIRMED			<b>HCH</b> HORNG CHIH ISO9001 Certified 鴻琪股份有限公司 ISO14001 Certified		PART NO.	
John	Elvis					PTS-092	
2009.03.26	2009.03.26						