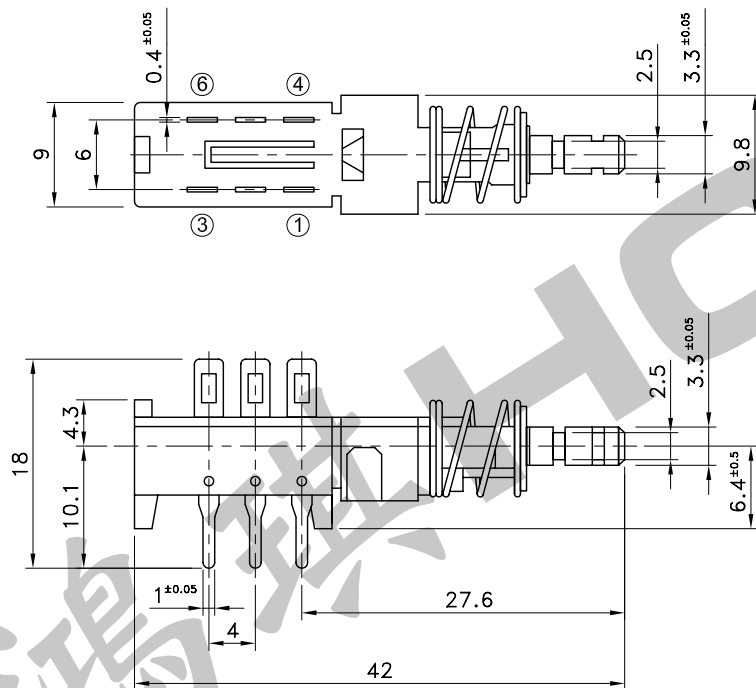
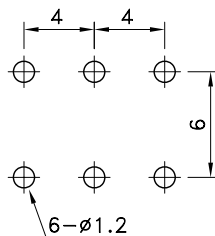


7	Contact Spring	Stainless Steel
6	Contact Plate	Brass Strip
5	Terminal	Brass Strip
4	Spring	Spring Steel
3	Plunger	Thermoplastic
2	Plate	Thermoplastic
1	Base	Thermoplastic
No.	Parts	Material



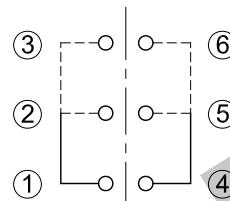
P.C.B TERMINAL POSITION



SOLDERING CONDITIONS

	Temperature (°C)	Time (Sec.)
Dip Soldering	260±5	5±1
Manual Soldering	350±10	3~4

CIRCUIT ARRANGEMENT



SPECIFICATIONS

- Rating : DC 30V 100mA
DC 25V 1A
- Contact Resistance : 50mΩ Max.
- Insulation Resistance : 100MΩ Min.
- Dielectric Strength : AC 1,000V for 1 Minute
- Operating Force : 400±100gf
- Stroke : 4.8±0.5mm
- Life : 10,000 Cycles Min. (DC 30V 100mA)
5,000 Cycles Min. (DC 25V 1A)
- Operating Temperature Range : -10~+60°C

REVISION:		DATE:		REVISION:		DATE:	
UNIT:mm		THIRD ANGLE PROJECTION METHOD		TOL. UNLESS OTHERWISE STATED:±0.3		CODE NO.: HCH-1682	
ISSUED		CONFIRMED		HCH ISO9001 Certified ISO14001 Certified HORNG CHIH 鴻琪股份有限公司		PART NO.	
<i>John</i> 2010.06.23		<i>Elvis</i> 2010.06.23				PTS-090N	