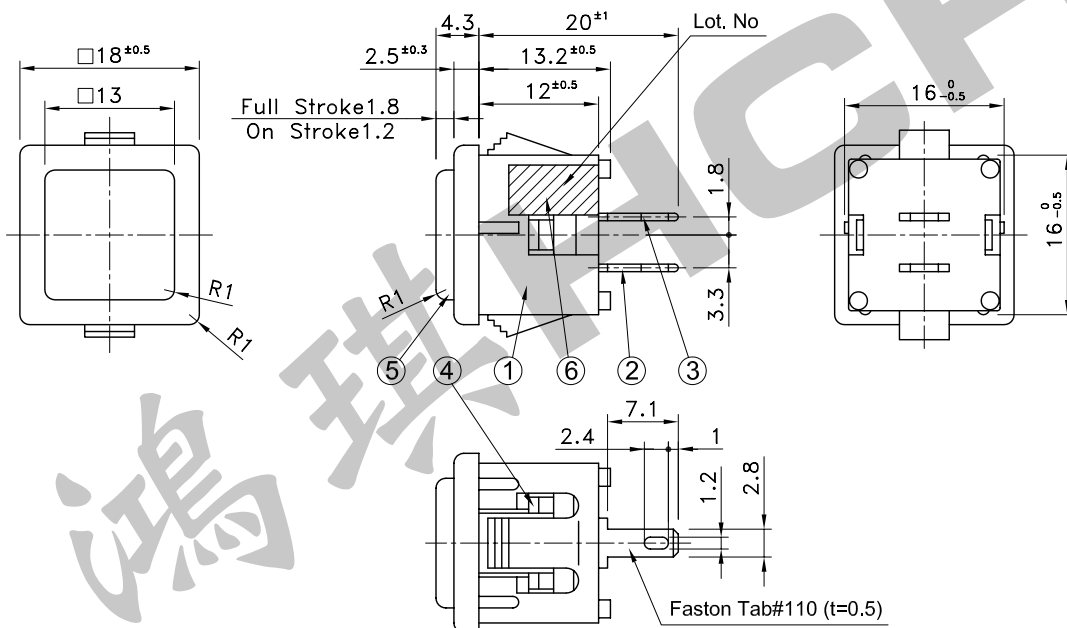
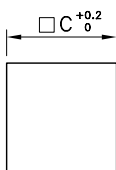


Inside Contact Portion	Fixed Portion	Brass	1	Silver Plate	
	Movable Portion	Brass	1	Silver Plate	
Outer View	6	Namer	Aluminium	1	
	5	Button	ABS Resin	1	
	4	Cover	PBT Resin	1	Black
	3	Fixed Terminal (B)	Brass	1	Silver Plate
	2	Fixed Terminal (A)	Brass	1	Silver Plate
	1	Box	PBT Resin	1	Black, Front Engraving
NO.	Parts	Material	Q'ty	Finish	

Knob	Code
Black	010
Red	011
White	012
Green	014
Blue	015



P.C.B TERMINAL POSITION



Thickness of Mounting Board	C
0.75~2	16.1mm
2~3	16.3mm

CIRCUIT ARRANGEMENT

Switching Function		
		Circuit
OFF	(ON)	(1) — o — (2)

(ON) = Momentary

SOLDERING CONDITIONS

	Temperature (°C)	Time (Sec.)
Auto Soldering	260±5	5±1

SPECIFICATIONS

- Rating : DC 5V 30mA
- Contact Resistance : 500mΩ Max. at AC 200μV 1.5mA
- Insulation Resistance : 100MΩ Min. at DC 500V
- Dielectric Strength : AC 1,000V for 1 Minute
- Operating Force : 150gf Max.
- Stroke : 1.8mm
- Life : 2,000,000 Cycles
- Operating Temperature Range : -25~+75°C

REVISION:		DATE:		REVISION:		DATE:	
UNIT:mm		THIRD ANGLE PROJECTION METHOD		TOL. UNLESS OTHERWISE STATED:±0.3		CODE NO.:HCH-1069	
ISSUED		CONFIRMED		HCH ISO9001 Certified ISO14001 Certified HORNG CHIH 鴻琪股份有限公司		PART NO. PTS-083	
John		Joey					
2006.05.09		2006.05.09					