

PUSH SWITCHES

LONG LIFE TYPE
WITH 1 LED

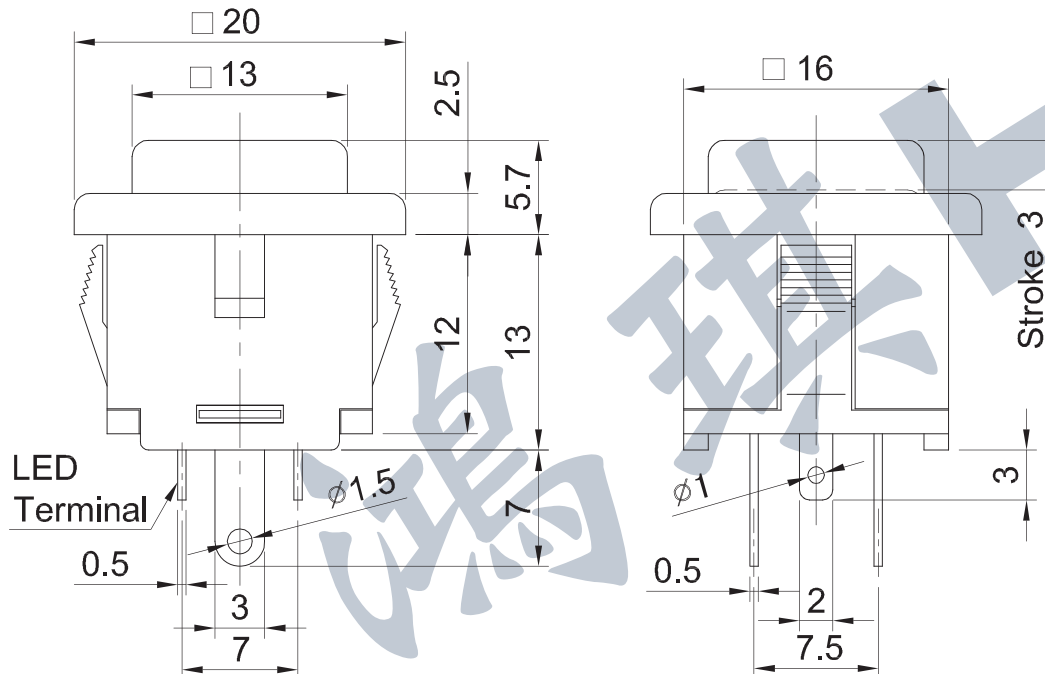
PTS-081 (ON)-OFF
(ON)=Momentary



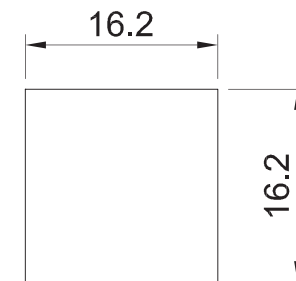
- Rating: DC30V 100mA
- Force: 50~300gf
- Life: 10,000,000 Cycles

Part No.	LED Color
PTS-081-L2	Red
PTS-081-L5	Green
PTS-081-L7	Blue
PTS-081-L8	Yellow

Body / Knob	Code	Body / Knob	Code
Black / Red	051	White / Red	061
Black / White	052	White / White	062
Black / Clear	053	White / Clear	063



Panel Mounting Hole



Panel Thickness: 0.7~3.0mm