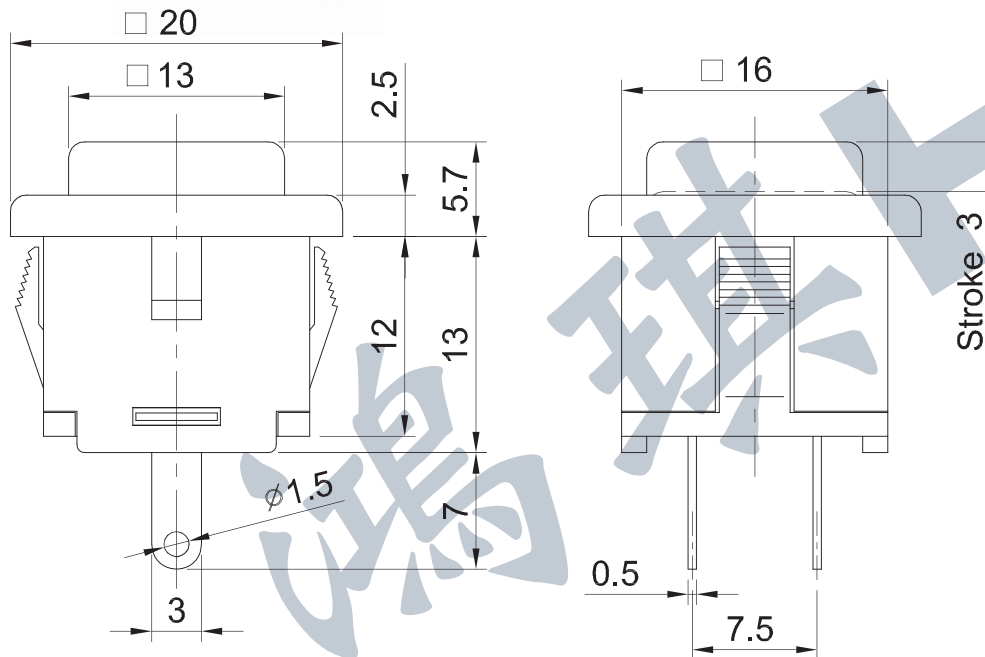


PUSH SWITCHES

LONG LIFE TYPE

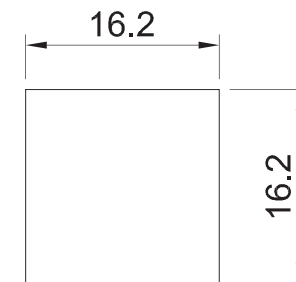
PTS-080 (ON)-OFF
(ON)=Momentary

- Rating: DC30V 100mA
- Force: 50~300gf
- Life: 10,000,000 Cycles



Body / Knob	Code
Black / Black	050
Black / Red	051
Black / White	052
White / Black	060
White / Red	061
White / White	062

Panel Mounting Hole



Panel Thickness: 0.7~3.0mm