

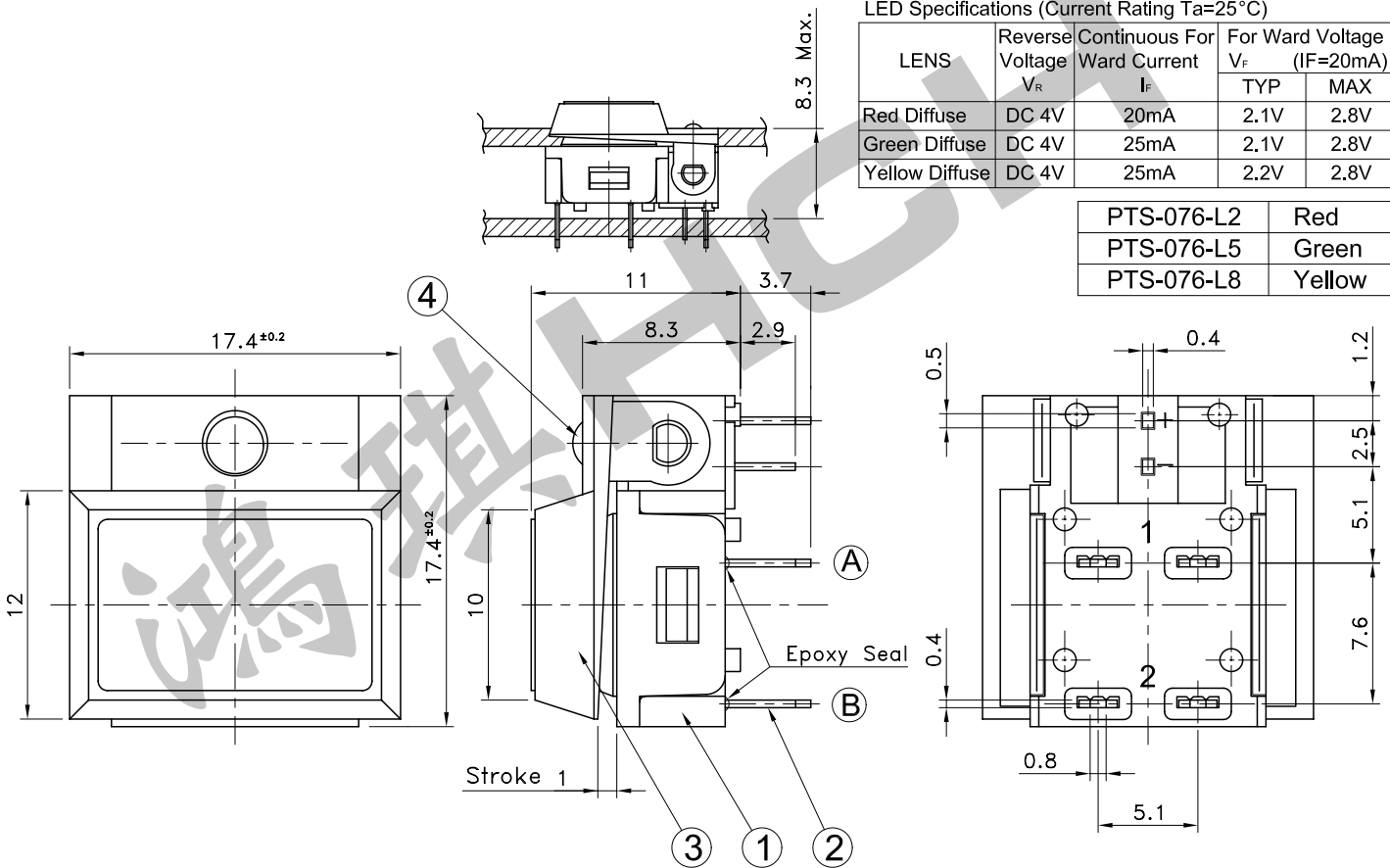
Knob	Code	Knob	Code
Black	010	Gray	013
Red	011	Blue	015
White	012	Orange	018

5	Movable Contact	Phosphor Bronze	1	Silver Plate
4	LED		1	
3	CAP	Polycarbonate Resin	1	
2	Terminal	Brass	2	Silver Plate
1	Case	Polyamid Resin	1	Black
No.	Parts	Material	Q'ty	Remarks

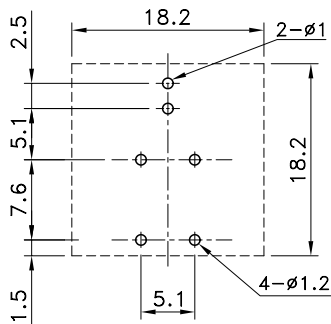
LED Specifications (Current Rating Ta=25°C)

LENS	Reverse Voltage V _R	Continuous Forward Current I _F	Forward Voltage V _F (IF=20mA)	
			TYP	MAX
Red Diffuse	DC 4V	20mA	2.1V	2.8V
Green Diffuse	DC 4V	25mA	2.1V	2.8V
Yellow Diffuse	DC 4V	25mA	2.2V	2.8V

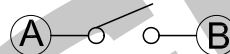
PTS-076-L2	Red
PTS-076-L5	Green
PTS-076-L8	Yellow



P.C.B TERMINAL POSITION



CIRCUIT ARRANGEMENT



SOLDERING CONDITIONS

	Temperature (°C)	Time (Sec.)
Auto Dip Soldering	245±10	3
Manual Soldering	270	3

SPECIFICATIONS

- Rating :DC 24V 50 mA
- Contact Resistance :20mΩ Max.
- Insulation Resistance :100MΩ Min. at DC 250V
- Dielectric Strength :AC 250V for 1 Minute
- Operating Force :95±30gf
- Stroke :1.0 mm
- Life :200,000 Cycles
- Operating Temperature Range:-25~+75°C

REVISION:	DATE:	REVISION:	DATE:
UNIT:mm	THIRD ANGLE PROJECTION METHOD	TOL. UNLESS OTHERWISE STATED:±0.3	CODE NO.: HCH-406
ISSUED	CONFIRMED	PART NO.	
<i>Elvis</i>	<i>Joey</i>	PTS-076	
2003.07.04	2003.07.04	HCH HORNG CHIH ISO9001 Certified ISO14001 Certified 鴻琪股份有限公司	