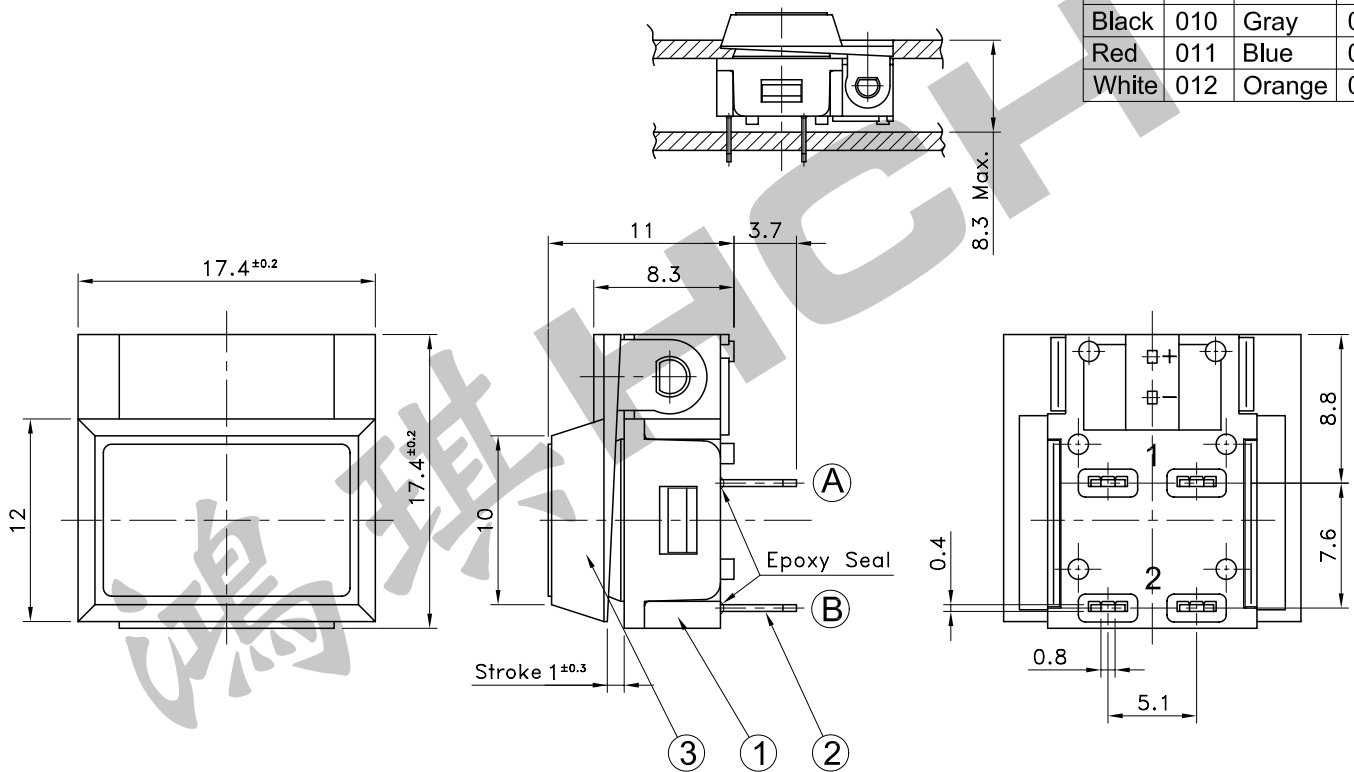
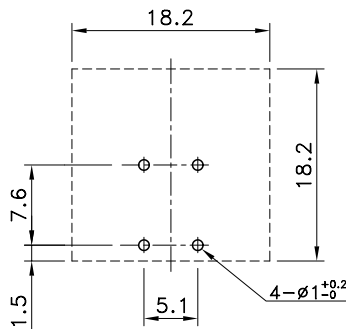


4	Movable Contact	Phosphor Bronze	1	Silver Plate
3	Button	Polycarbonate Resin	1	
2	Terminal	Brass	2	Silver Plate
1	Case	Polyamide Resin	1	Black
No.	Parts	Material	Q'ty	Finish

Knob	Code	Knob	Code
Black	010	Gray	013
Red	011	Blue	015
White	012	Orange	018



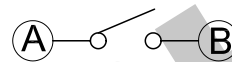
P.C.B TERMINAL POSITION



SOLDERING CONDITIONS

	Temperature (°C)	Time (Sec.)
Auto Dip Soldering	245±10	3
Manual Soldering	270	3

CIRCUIT ARRANGEMENT



SPECIFICATIONS

- | | |
|---------------------------------|------------------------|
| 1. Rating | :DC 24V 50 mA |
| 2. Contact Resistance | :20mΩ Max. |
| 3. Insulation Resistance | :100MΩ Min. at DC 250V |
| 4. Dielectric Strength | :AC 250V for 1 Minute |
| 5. Operating Force | :95±30gf |
| 6. Stroke | :1.0±0.3 mm |
| 7. Life | :200,000 Cycles |
| 8. Operating Temperature Range: | :-25~+75°C |

REVISION:		DATE:		REVISION:		DATE:	
UNIT:mm	THIRD ANGLE PROJECTION METHOD	TOL. UNLESS OTHERWISE STATED:±0.3		CODE NO.: HCH-404			
ISSUED	CONFIRMED	HCH HORNG CHIH ISO9001 Certified ISO14001 Certified 鴻琪股份有限公司		PART NO.			
<i>Elvis</i>	<i>Joey</i>			PTS-074			
2003.07.07	2003.07.07						