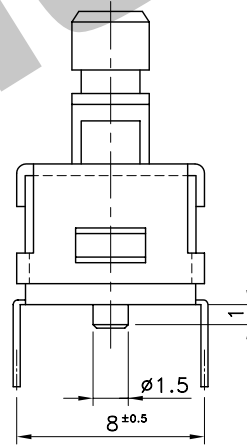
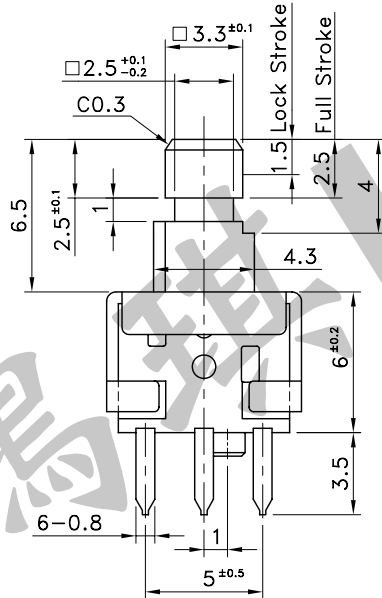
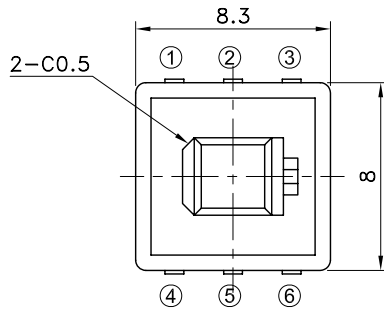


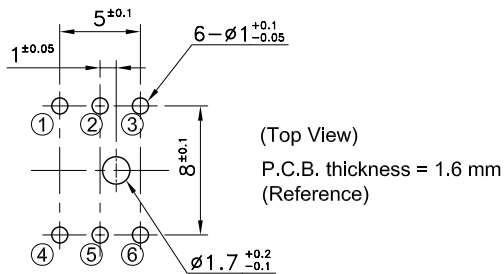
7	Metallic Housing	SPTE-T2.5-25	Sn Plating	
6	Spring	SWPB		
5	Wiper	Phosphor Bronze	Ag Plating	
4	Latch Pin	SUS (Stainless Steel)		
3	Contact Terminal	Phosphor Bronze	Ag Plating	
2	Housing	PA6T		
1	Shaft	POM (Polyacetal)		Color Gray
No.	Parts	Material	Finish	Remarks

* PTS-066N without (4)

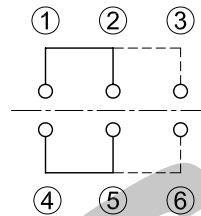
Part No.	Operating Force	Operating
PTS-066S-C	300±100gf	PUSH TO LOCK
PTS-066N-C	300±100gf	PUSH NO LOCK
PTS-066S-E	500±150gf	PUSH TO LOCK
PTS-066N-E	500±150gf	PUSH NO LOCK



P.C.B TERMINAL POSITION



CIRCUIT ARRANGEMENT



SOLDERING CONDITIONS

		Temperature (°C)	Time (Sec.)
Auto Soldering	Preheat	110±20	30~60
	Auto Soldering	250±5	5 ⁺¹ ₀
Manual Soldering		380±10	3 ⁺¹ ₀

SPECIFICATIONS

- Rating : DC 14V 200mA
- Contact Resistance : 50mΩ Max.
- Insulation Resistance : 100MΩ Min. at DC 500V
- Dielectric Strength : AC 500V for 1 Minute
- Stroke : Full 2.5±0.3 Lock 1.5±0.3 mm
- Life : 50,000 Cycles
- Operating Temperature Range : -40~+85°C
- Storage Temperature Range : -40~+95°C

REVISION:		DATE:		REVISION:		DATE:	
UNIT:mm		THIRD ANGLE PROJECTION METHOD		TOL. UNLESS OTHERWISE STATED:±0.3		CODE NO.:HCH-1689-2	
ISSUED		CONFIRMED		PART NO.		PTS-066	
John		Elvis		HCH [®] HORNG CHIH			
2013.10.30		2013.10.30		ISO9001 Certified ISO14001 Certified 鴻琪股份有限公司			