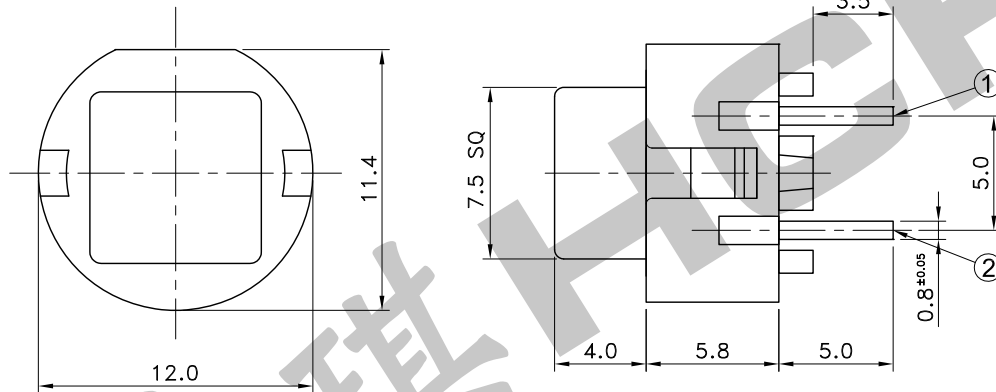


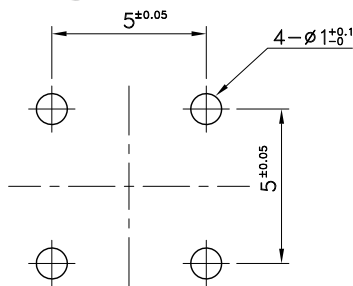
6	Cap	PC	1	
5	Dome	Stainless Steel	1	
4	Contact Plate	Phosphor Bronze	1	Ag Plated
3	Spring	Stainless Steel	1	
2	Base	PBT	1	
1	Terminal	Brass Strip	2	
No.	Parts	Material	Q'ty	Finish

Color	Code
Black	010
Red	011
White	012
Gray	013
Green	014
Blue	015
Yellow	016
LG	017

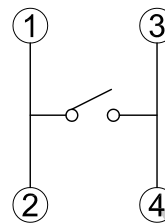
* LG=Light Gray



P.C.B TERMINAL POSITION



CIRCUIT ARRANGEMENT



SOLDER HEAT RESISTANCE

	Temperature (°C)	Time (Sec.)
Auto Soldering	260±5	5±1
Manual Soldering	350±10	3~4

SPECIFICATIONS

- Rating :DC 35V 10 mA
- Contact Resistance :50mΩ Max.
- Insulation Resistance :100MΩ Min. at DC 500V
- Dielectric Strength :AC 500V for 1 Minute
- Operating Force :130±50gf
- Stroke :0.8mm
- Life :100,000 Cycles (with load)
- Operating Temperature Range :-10~+60°C

REVISION:	DATE:	REVISION:	DATE:
UNIT:mm	THIRD ANGLE PROJECTION METHOD	TOL. UNLESS OTHERWISE STATED:±0.3	CODE NO.:HCH-398-3
ISSUED	CONFIRMED	PART NO.	
<i>John</i>	<i>Elvis</i>	PTS-062	
2021.06.29	2021.06.29	HCH ISO9001 Certified ISO14001 Certified HORNG CHIH 鴻琪股份有限公司	