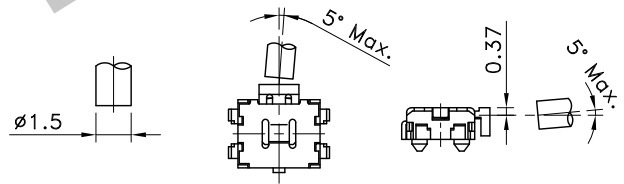
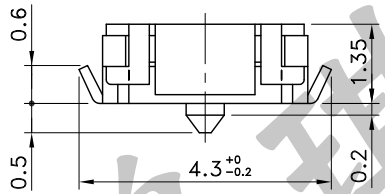
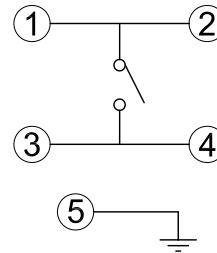
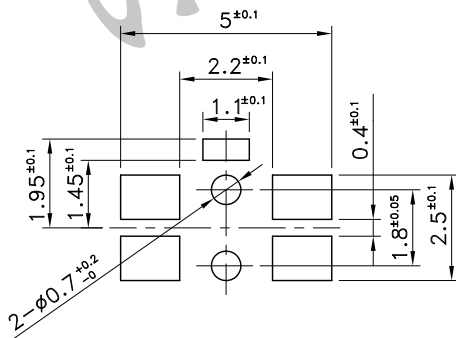


Recommend use cap shape dimension

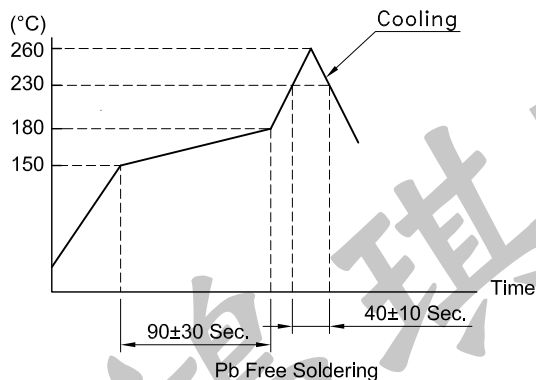


P.C.B TERMINAL POSITION

CIRCUIT ARRANGEMENT



SOLDERING CONDITIONS



SPECIFICATIONS

- 1. Rating : DC 12V 50mA Max.
DC 2V 10µA Min.
- 2. Contact Resistance : 500mΩ Max.
- 3. Insulation Resistance : 100MΩ Min. at DC 100V
- 4. Dielectric Strength : AC 250V for 1 Minute
- 5. Operating Force : 160⁺⁷⁰₋₄₀ gf
- 6. Stroke : 0.2^{+0.2}_{-0.1} mm
- 7. Life : 100,000 Cycles
- 8. Taping : 5,000 Pcs/Reel
- 9. Operating Temperature Range : -20~+70°C
- 10. Storage Temperature Range : -40~+85°C (Bulk)
: -20~+60°C (Taping)
- 11. Reflow soldering : According Reflow Profile
Max. 2 Times

| | | | | | | | |
|------------|--|-------------------------------|--|--|--|---------------------|--|
| REVISION: | | DATE: | | REVISION: | | DATE: | |
| UNIT:mm | | THIRD ANGLE PROJECTION METHOD | | TOL. UNLESS OTHERWISE STATED:±0.2 | | CODE NO.:HCH-1366-1 | |
| ISSUED | | CONFIRMED | | HORNG CHIH HCH ISO9001 Certified ISO14001 Certified 鴻琪股份有限公司 | | PART NO. | |
| John | | Elvis | | | | PTS-056 | |
| 2008.09.08 | | 2008.09.08 | | | | | |