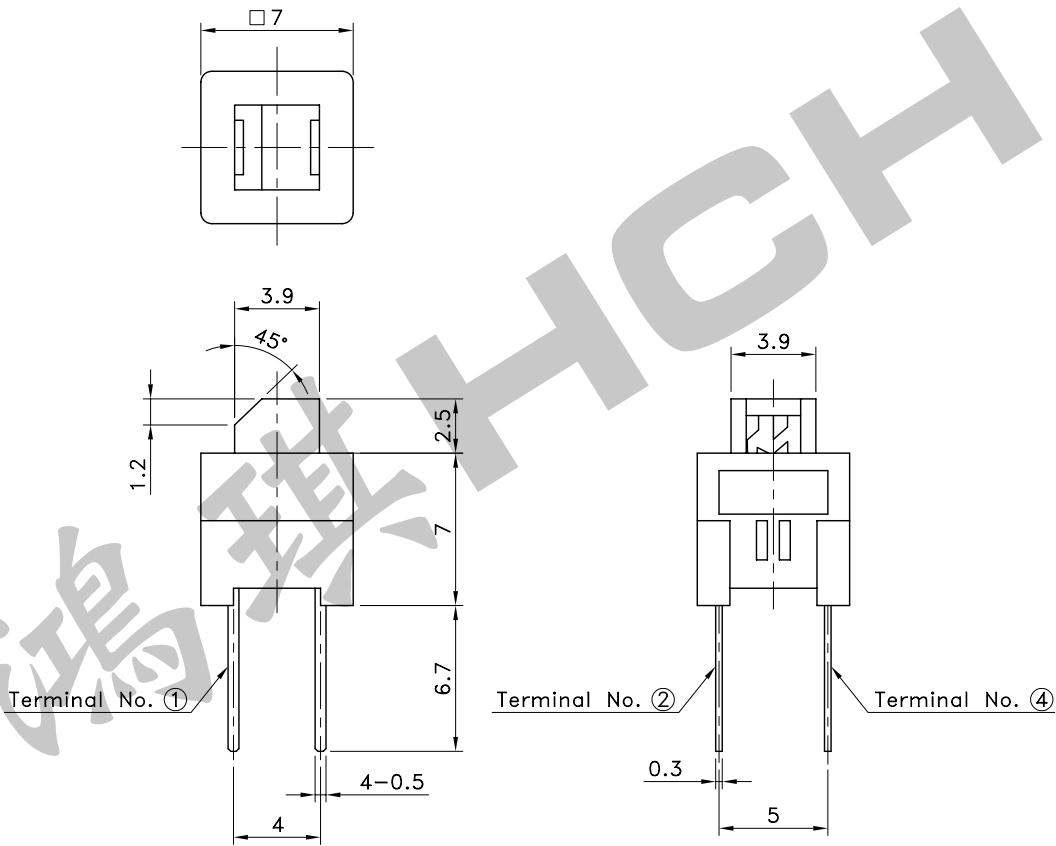
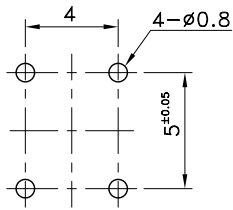


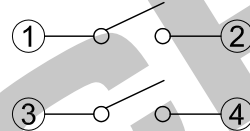
Part No.	Operating
PTS-053S	PUSH TO LOCK
PTS-053N	PUSH NO LOCK



P.C.B TERMINAL POSITION



CIRCUIT ARRANGEMENT



SOLDERING CONDITIONS

	Temperature (°C)	Time (Sec.)
Auto Soldering	260±5	5±1
Manual Soldering	350±10	3

SPECIFICATIONS

1. Rating : DC 3V 1.25A(ON), 300mA(OFF)
2. Contact Resistance : 50mΩ Max. at DC 5V 1A
3. Insulation Resistance : 100MΩ Min. at DC 500V
4. Dielectric Strength : AC 500V for 1 Minute
5. Operating Force : 140±50gf
6. Stroke : Full 1.8 Lock 1.0mm
7. Life : 10,000 Cycles
8. Operating Temperature Range : -10~+60°C

REVISION:		DATE:		REVISION:		DATE:	
UNIT:mm	THIRD ANGLE PROJECTION METHOD		TOL. UNLESS OTHERWISE STATED:±0.3		CODE NO.:HCH-1102-1		
ISSUED	CONFIRMED					PART NO.	
John	Elvis					PTS-053	
2007.10.19	2007.10.19		鴻琪股份有限公司				