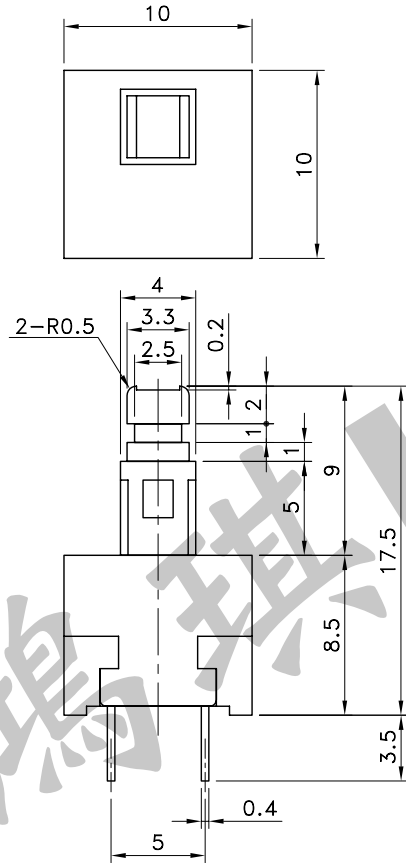
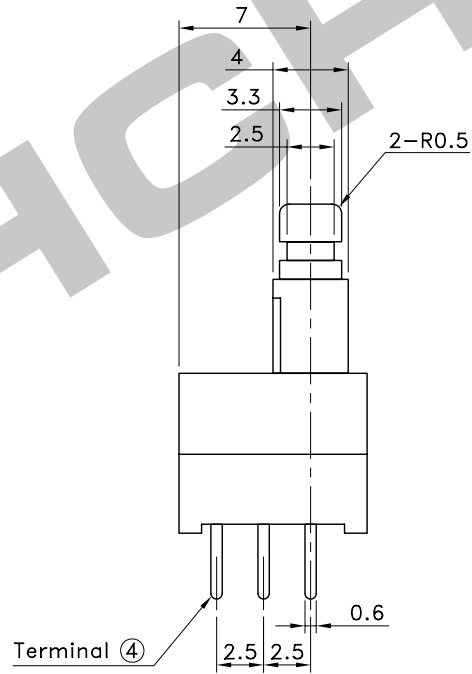


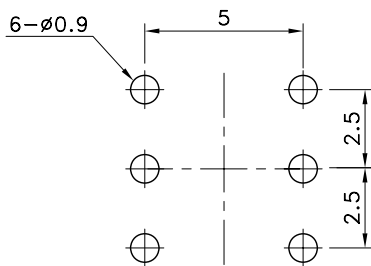
Part No.	Operating	Push Color
PTS-051S	PUSH TO LOCK	Blue
PTS-051N	PUSH NO LOCK	White



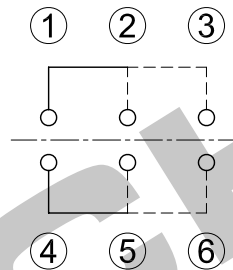
P.C.B TERMINAL POSITION



CIRCUIT ARRANGEMENT



SOLDERING CONDITIONS



SPECIFICATIONS

	Temperature (°C)	Time (Sec.)
Dip Soldering	260±5	5±1
Manual Soldering	350±10	3

1. Rating : DC 30V 100mA
2. Contact Resistance : 50mΩ Max.
3. Insulation Resistance : 100MΩ Min. at DC 500V
4. Dielectric Strength : AC 500V for 1 Minute
5. Operating Force : 200±50gf
6. Stroke : Full 2.5 Lock 1.5mm
7. Life : 10,000 Cycles
8. Operating Temperature Range : -10~+60°C
9. Storage Temperature Range : -30~+80°C

REVISION:	DATE:	REVISION:	DATE:
UNIT:mm	THIRD ANGLE PROJECTION METHOD	TOL. UNLESS OTHERWISE STATED:±0.3	CODE NO.:HCH-1045-1
ISSUED	CONFIRMED	PART NO.	
<i>John</i>	<i>Elvis</i>	PTS-051	
2009.07.28	2009.07.28	HCH HORNG CHIH <small>ISO9001 Certified ISO14001 Certified</small> 鴻琪股份有限公司	