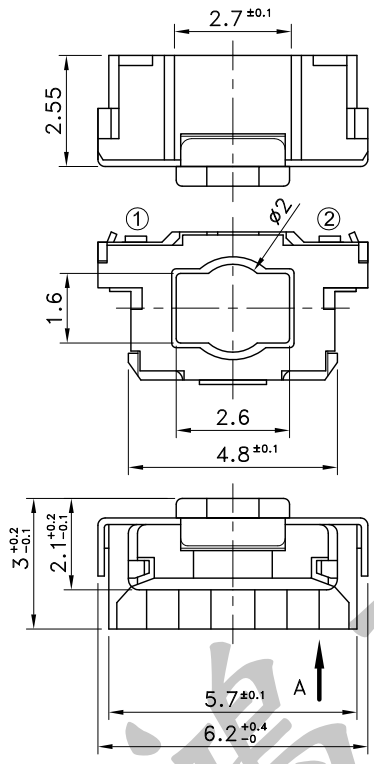
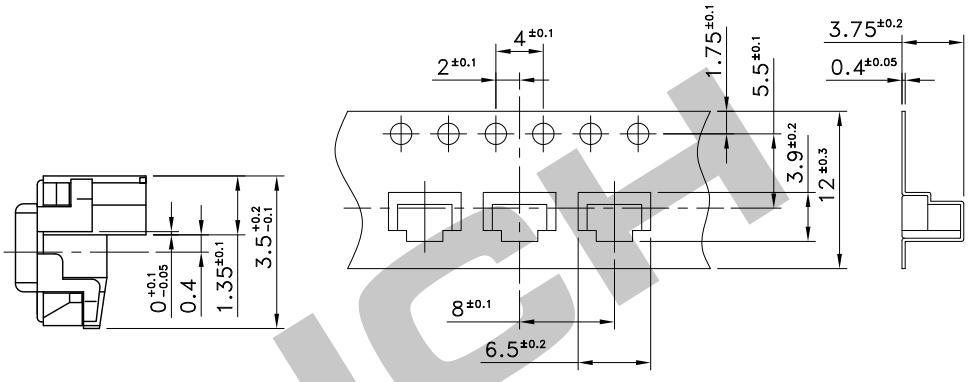


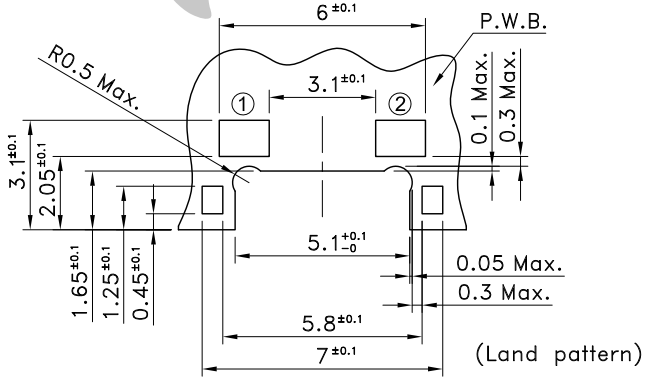
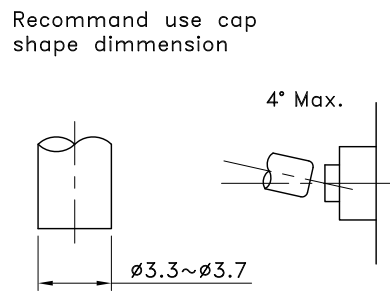
Part No.	Operating Force
PTS-040	100±50gf
PTS-040-A	160±50gf



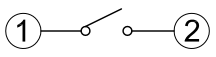
P.C.B TERMINAL POSITION



CIRCUIT ARRANGEMENT

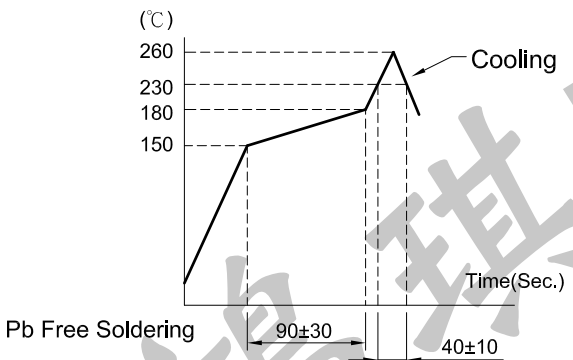


REFLOW SOLDERING CONDITIONS



SPECIFICATIONS

- 1. Rating : DC 15V 20 mA
- 2. Contact Resistance : 100mΩ Max.
- 3. Insulation Resistance : 100MΩ Min. at DC 100V
- 4. Dielectric strength : AC 250V for 1 Minute
- 5. Stroke : 0.25^{+0.05}_{-0.15} mm
- 6. Life : 1,000,000 Cycles
- 7. Taping Package : 2,500 Pcs/Reel
- 8. Operating Temperature Range : -40~+85°C



REVISION:	DATE:	REVISION:	DATE:
UNIT:mm	THIRD ANGLE PROJECTION METHOD	TOL. UNLESS OTHERWISE STATED:±0.3	CODE NO.: HCH-373-3 (P)
ISSUED	CONFIRMED	PART NO.	
John	Elvis	PTS-040	
2013.06.21	2013.06.21	HORNG CHIH 鴻琪股份有限公司	