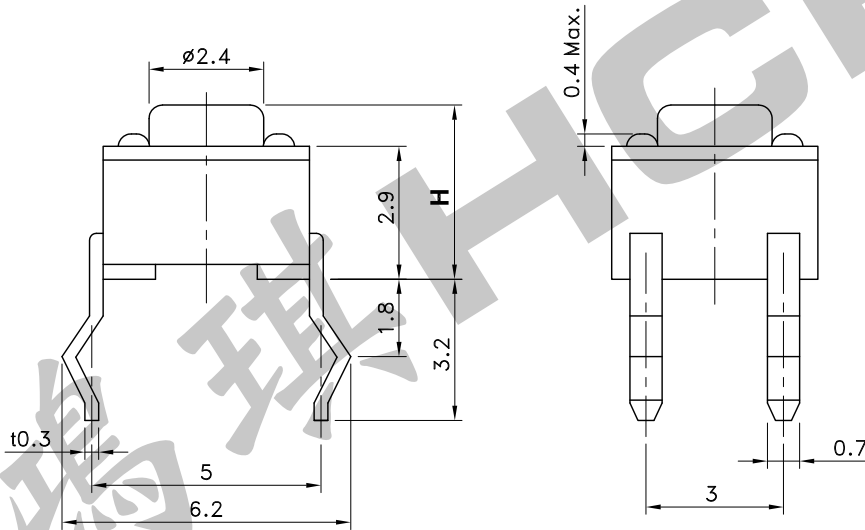
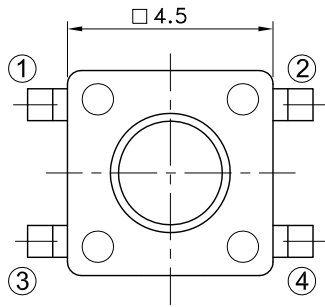
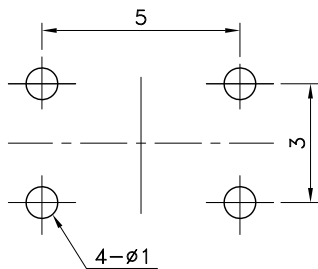


5	Cover	Stainless Steel	1		
4	Knob	Polyamide 6T	1		Black
3	Contact	Stainless Steel	1	Ag Clad	
2	Case	Polyamide 6T	1		Black
1	Terminal	Brass	1	Ag Plate	
No.	Parts	Material	Q'ty	Finish	Remarks

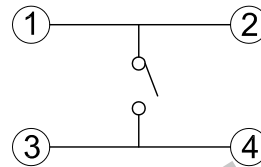
Part No.	High(H)
PTS-029	3.8 mm
PTS-029-D1	7.0 mm



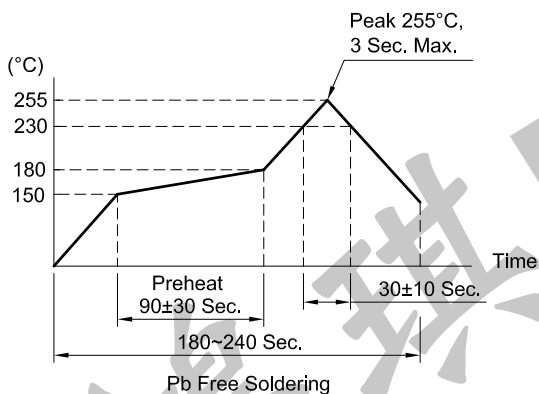
P.C.B TERMINAL POSITION



CIRCUIT ARRANGEMENT



SOLDERING CONDITIONS



SPECIFICATIONS

- Rating : DC 12V 50mA Max.
DC 1V 10μA Min.
- Contact Resistance : 100mΩ Max.
- Insulation Resistance : 100MΩ Min. at DC 100V
- Dielectric Strength : AC 100V for 1 Minute
- Operating Force : 160±30gf
- Stroke : 0.25±0.1 mm
- Life : 50,000 Cycles
- Operating Temperature Range : -20~+70°C
- Storage Temperature Range : -30~+80°C

REVISION:	DATE:	REVISION:	DATE:
UNIT:mm	THIRD ANGLE PROJECTION METHOD	TOL. UNLESS OTHERWISE STATED:±0.3	CODE NO.: HCH-383-5 (I)
ISSUED	CONFIRMED	PART NO.	
<i>John</i>	<i>Elvis</i>	PTS-029	
2017.11.23	2017.11.23	PTS-029-D1	
		HORNG CHIH 鴻琪股份有限公司	