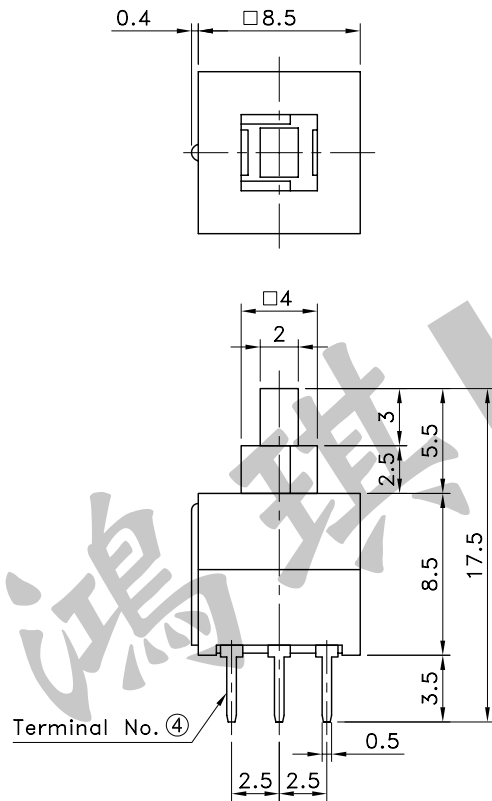
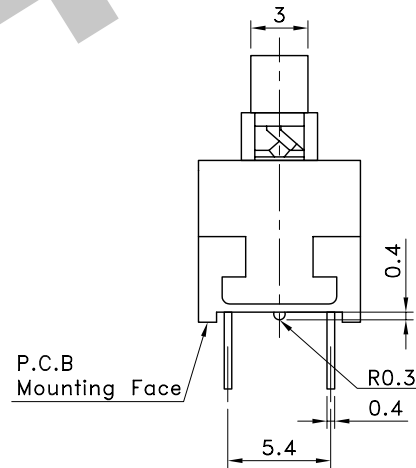


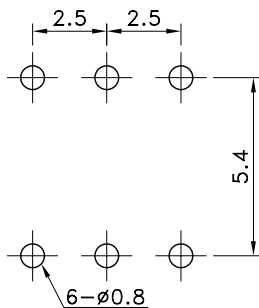
Part No.	Operating	Push Color
PTS-028S	PUSH TO LOCK	White
PTS-028N	PUSH NO LOCK	Blue
PTS-028NC	PUSH NO LOCK(With Click)	Black



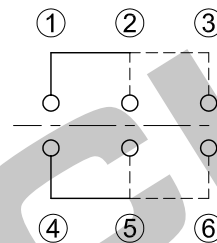
P.C.B TERMINAL POSITION



CIRCUIT ARRANGEMENT



SOLDER HEAT RESISTANCE



SPECIFICATIONS

	Temperature (°C)	Time (Sec.)
Auto Soldering	260±5	5±1
Manual Soldering	350±10	3

- | | |
|--------------------------------|---|
| 1. Rating | :DC 30V 100 mA |
| 2. Contact Resistance | :50mΩ Max. |
| 3. Insulation Resistance | :100MΩ Min. at DC 500V |
| 4. Dielectric Strength | :AC 500V for 1 Minute |
| 5. Operating Force | :220±50gf |
| 6. Stroke | :Full stroke:2.5mm
Lock stroke:1.5mm |
| 7. Life | :10,000 Cycles |
| 8. Operating Temperature Range | :-10~+60°C |

REVISION: _____ DATE: _____ REVISION: _____ DATE: _____

UNIT:mm THIRD ANGLE PROJECTION METHOD TOL. UNLESS OTHERWISE STATED:±0.3 CODE NO.: HCH-393-1

ISSUED	CONFIRMED	HCH ISO9001 Certified ISO14001 Certified HORNG CHIH 鴻琪股份有限公司	PART NO.
<i>John</i> 2006.09.13	<i>Joey</i> 2006.09.13		PTS-028