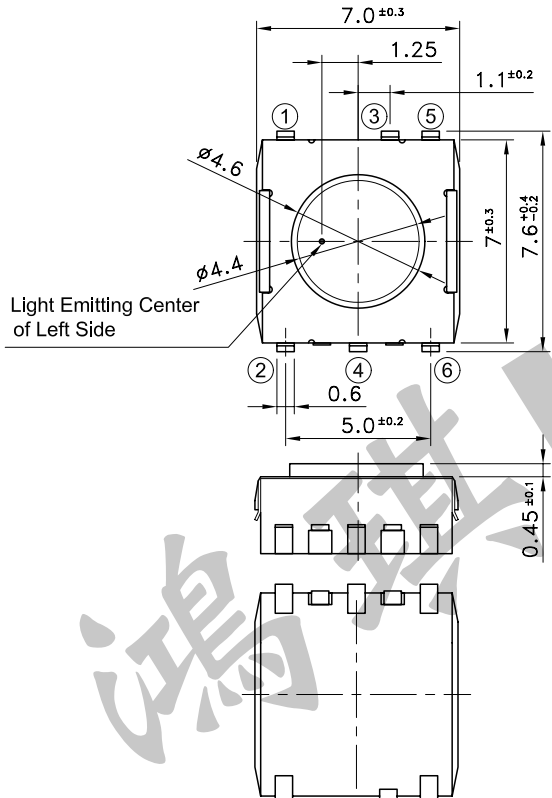
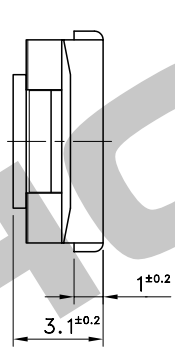


Parts NO.	LED Color
PTS-021-L2	Red
PTS-021-L5	Green
PTS-021-L8	Yellow



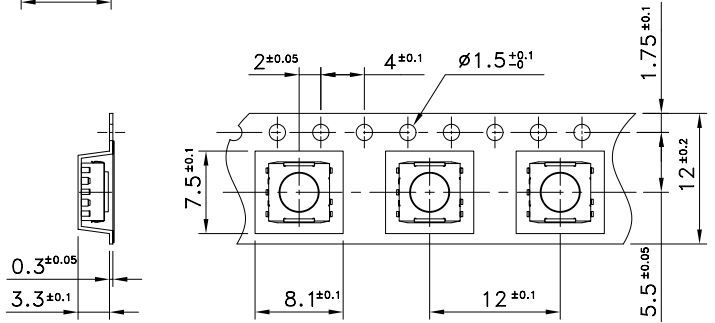
**P.C.B TERMINAL POSITION**



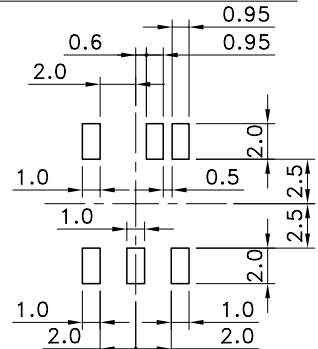
LED Portion (Per LED chip) (Ta 25°C)

Item	Symbol	Rating
Power Dissipation (mW)	P <sub>D</sub>	65
Forward Current (mA)	I <sub>F</sub>	25
Pulse Forward Current (mA)	I <sub>FP</sub>	100*
Reverse Voltage (V)	V <sub>R</sub>	5

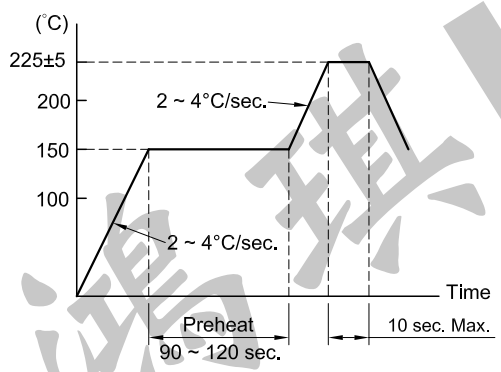
\*Condition for I<sub>FP</sub> is pulse of 1/10 duty & 0.1msec width.



**CIRCUIT ARRANGEMENT**



**REFLOW SOLDERING CONDITIONS**



**SPECIFICATIONS**

- 1. Rating : DC 12V 20mA
- 2. Contact Resistance : 100mΩ Max.
- 3. Insulation Resistance : 100MΩ Min. at DC 100V
- 4. Dielectric Strength : AC 250V for 1 Minute
- 5. Operating Force : 180±50gf
- 6. Circuit : 1Pole 1 Position
- 7. Stroke : 0.25<sup>+0.2</sup><sub>-0.1</sub> mm
- 8. Life : 50,000 Cycles
- 9. Taping package : 1,600 Pcs/Reel

REVISION:	DATE:	REVISION:	DATE:
UNIT:mm	THIRD ANGLE PROJECTION METHOD	TOL. UNLESS OTHERWISE STATED:±0.3	CODE NO.:HCH-349
ISSUED	CONFIRMED	PART NO.	
<i>Elvis</i>	<i>Joey</i>	PTS-021	
2003.05.30	2003.05.30	<b>HORNG CHIH</b> 鴻琪股份有限公司 ISO9001 Certified	