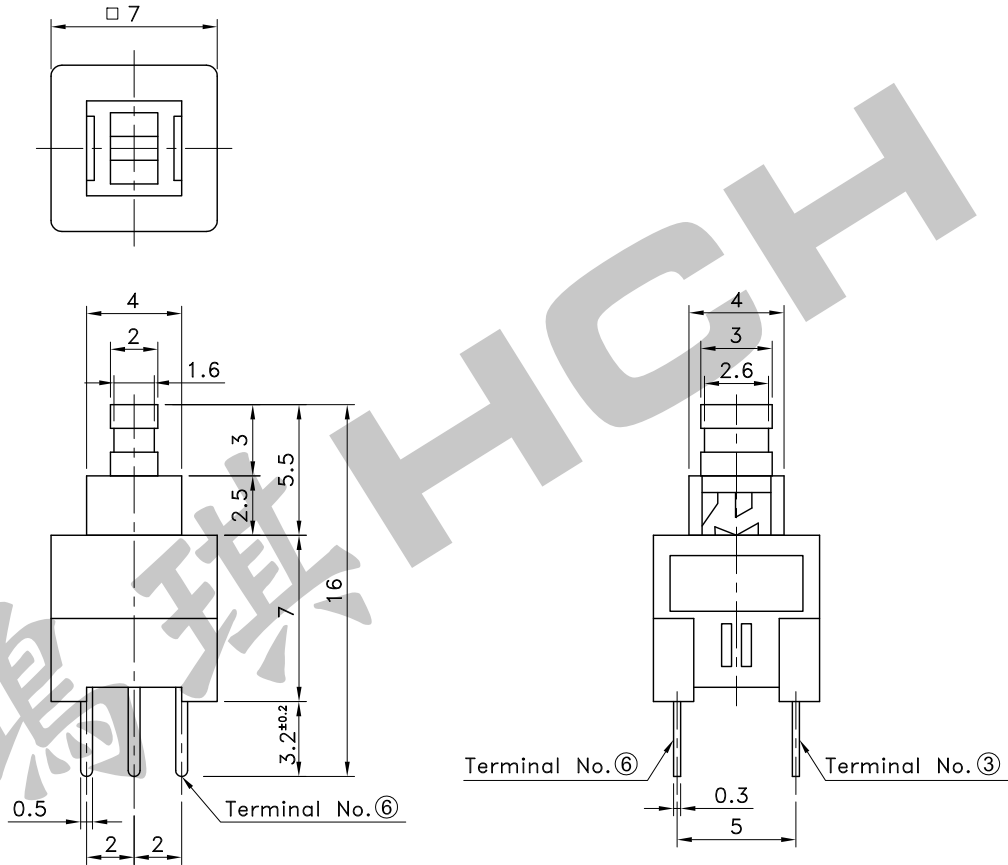
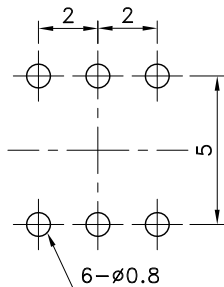


Part No.	Operating	Push Color
PTS-019S	PUSH TO LOCK	Blue
PTS-019N	PUSH NO LOCK	White



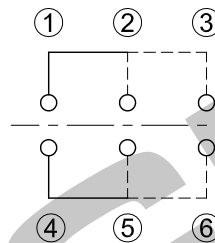
P.C.B TERMINAL POSITION



SOLDER HEAT RESISTANCE

	Temperature (°C)	Time (Sec.)
Dip Soldering	260±5	5±1
Manual Soldering	350±10	3

CIRCUIT ARRANGEMENT



SPECIFICATIONS

- 1. Rating : DC 30V 100 mA
- 2. Contact Resistance : 50mΩ Max.
- 3. Insulation Resistance : 100MΩ Min. at DC 500V
- 4. Dielectric Strength : AC 500V for 1 Minute
- 5. Operating Force : 140±50gf
- 6. Stroke : Full stroke:1.8mm
Lock stroke:1.0mm
- 7. Life : 10,000 Cycles
- 8. Operating Temperature Range : -10~+60°C

REVISION: _____ DATE: _____ REVISION: _____ DATE: _____

UNIT:mm THIRD ANGLE PROJECTION METHOD TOL. UNLESS OTHERWISE STATED:±0.3 CODE NO.: HCH-391-1

ISSUED	CONFIRMED	HORNG CHIH 鴻琪股份有限公司 <small>ISO9001 Certified ISO14001 Certified</small>	PART NO. PTS-019
<i>John</i> 2015.09.18	<i>Joey</i> 2015.09.18		