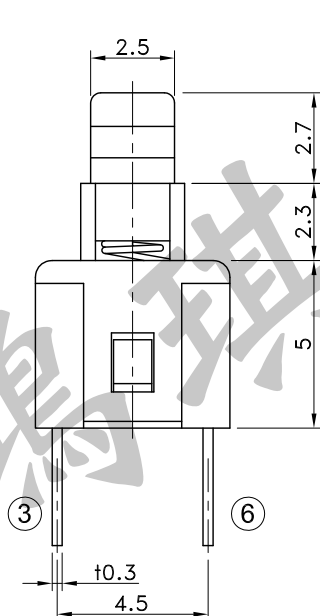
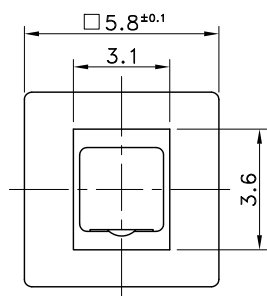
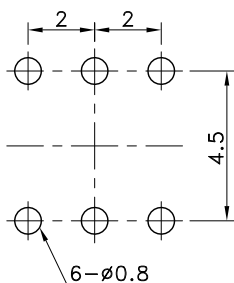


7	Cam Stick	Stainless Steel		
6	Coil Spring	Stainless Steel		
5	Contact	Phosphor Bronze	Ag Clad	
4	Terminal	Brass	Ag Plating	
3	Cover	PA66		UL94HB, Gray
2	Push	PA66		UL94HB, Blue
1	Case	PA66		UL94HB, Black
No.	Parts	Material	Finish	Remarks

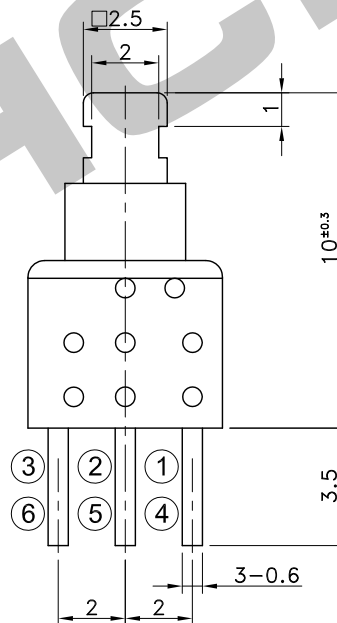


P.C.B TERMINAL POSITION

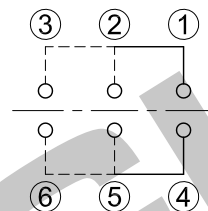


SOLDERING CONDITIONS

	Temperature (°C)	Time (Sec.)
Auto Soldering	260 Max.	5±1
Manual Soldering	350±10	3



CIRCUIT ARRANGEMENT



SPECIFICATIONS

- Rating : DC 30V 100 mA
- Contact Resistance : 50mΩ Max.
- Insulation Resistance : 100MΩ Min. at DC 100V
- Dielectric Strength : AC 250V for 1 Minute
- Operating Force : 150±50gf
- Stroke : Full stroke:1.8mm  
Lock stroke:1.0mm
- Life : 10,000 Cycles
- Operating Temperature Range : -25~+60°C

REVISION:		DATE:		REVISION:		DATE:	
UNIT:mm		THIRD ANGLE PROJECTION METHOD		TOL. UNLESS OTHERWISE STATED:±0.3		CODE NO.:HCH-828-4	
ISSUED		CONFIRMED		<b>HORNG CHIH</b> HCH® ISO9001 Certified ISO14001 Certified 鴻琪股份有限公司		PART NO.	
<i>John</i> 2009.02.10		<i>Elvis</i> 2009.02.10				<b>PTS-018S</b>	