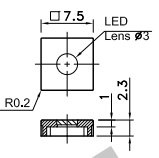
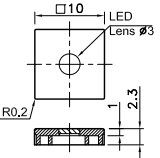
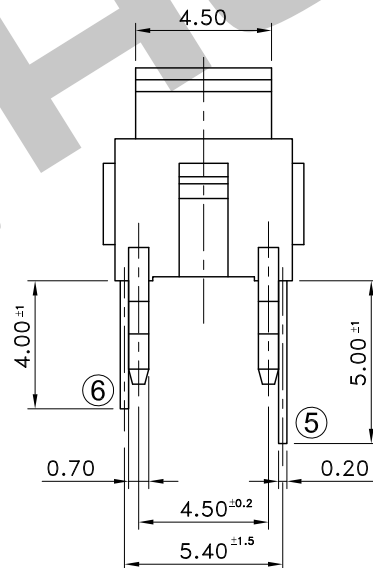
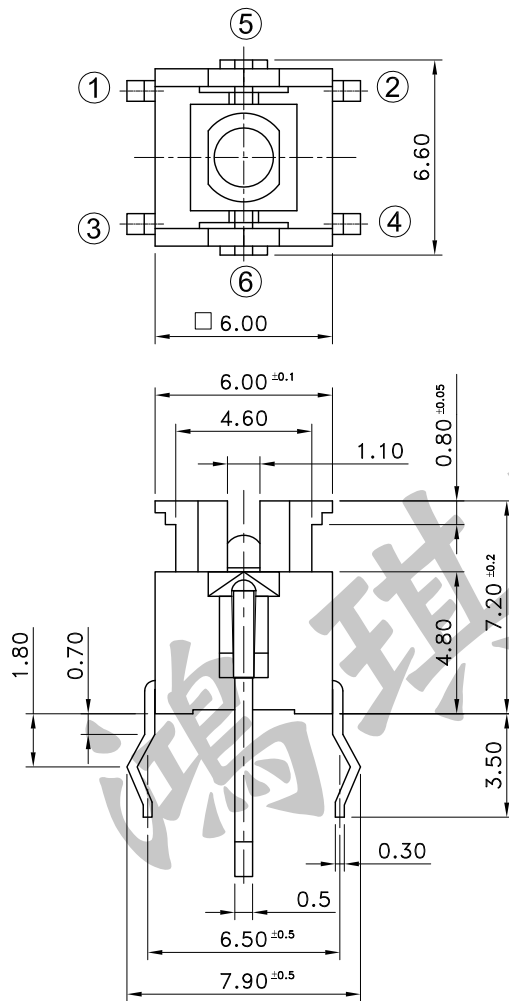


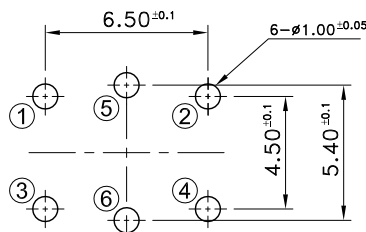
**Optional Accessories**

Part Name	Color Button (□ 7.5)	Color Button (□ 10)
Dimensions		
Dark Gray	TZ0110	TZ0810
Gray	TZ0104	TZ0804
Light Gray	TZ0111	TZ0811
Ivory	TZ0112	TZ0812
Silver	TZ0113	TZ0813
Red	TZ0102	TZ0802
Green	TZ0105	TZ0805
Blue	TZ0106	TZ0806
Brown	TZ0109	TZ0809

Part No.	LED Color
PTS-012-L2	Red
PTS-012-L5	Green
PTS-012-L6	White
PTS-012-L8	Yellow



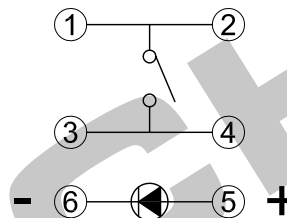
**P.C.B TERMINAL POSITION**



**SOLDERING CONDITIONS**

	Temperature (°C)	Time (Sec.)
Auto Dip Soldering	255	5 Max.

**CIRCUIT ARRANGEMENT**



**SPECIFICATIONS**

- |                                |                        |
|--------------------------------|------------------------|
| 1. Rating                      | :DC 12V 50mA           |
| 2. Contact Resistance          | :100mΩ Max.            |
| 3. Insulation Resistance       | :100MΩ Min. at DC 100V |
| 4. Dielectric Strength         | :AC 250V for 1 minute  |
| 5. Operation Force             | :160±50gf              |
| 6. Stroke                      | :0.25±0.1 mm           |
| 7. Life                        | :100,000 Cycles        |
| 8. Operating Temperature Range | :-20~+70°C             |

REVISION:	DATE:	REVISION:	DATE:
UNIT:mm	THIRD ANGLE PROJECTION METHOD	TOL. UNLESS OTHERWISE STATED:±0.3	CODE NO.:HCH-400-2
ISSUED	CONFIRMED	PART NO.	
<i>John</i>	<i>Elvis</i>	<b>PTS-012 SERIES</b>	
2017.01.12	2017.01.12	<b>HCH</b> <sup>®</sup> HORNG CHIH 鴻琪股份有限公司 ISO9001 Certified	