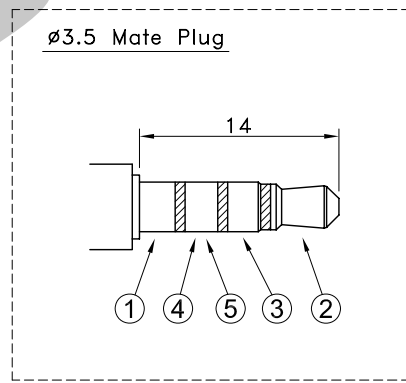
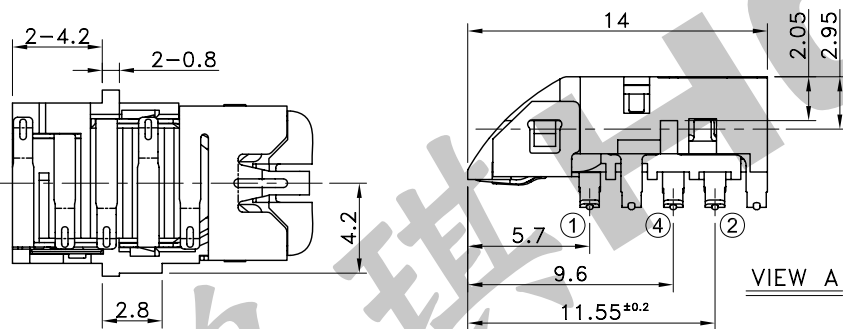
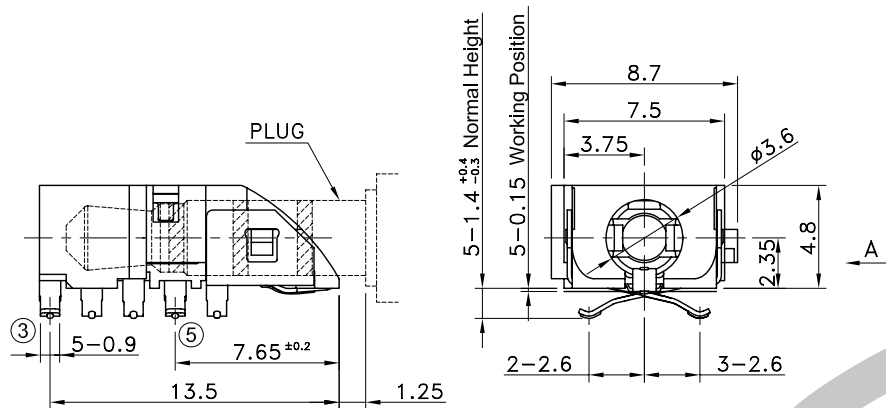
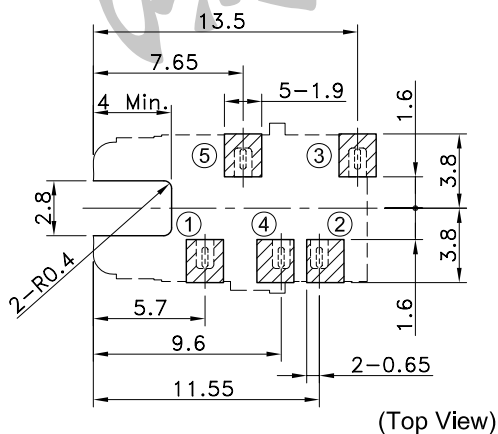


6	Terminal 5	Copper Alloy	Gold Flash
5	Terminal 4	Copper Alloy	Gold Flash
4	Terminal 3	Copper Alloy	Gold Flash
3	Terminal 2	Copper Alloy	Gold Flash
2	Terminal 1	Copper Alloy	Gold Flash
1	Body	PA	
No.	Parts	Material	Finish

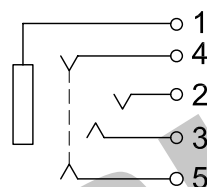


**P.C.B TERMINAL POSITION**

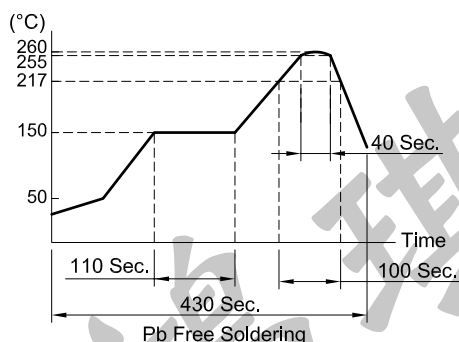


(Top View)

**CIRCUIT ARRANGEMENT**



**SOLDERING CONDITIONS**



**SPECIFICATIONS**

- Rating : DC 12V 1A Max.
- Contact Resistance : 50mΩ Max.
- Insulation Resistance : 100MΩ Min. at DC 500V
- Dielectric Strength : AC 500V for 1 Minute
- Insertion & Extraction Force : 0.3~3kgf
- Life : 5,000 Cycles
- Package : 176 Pcs/Bulk
- Operating Temperature Range : -25~+85°C
- Reflow Soldering Profile : According Reflow Profile 2 Times

REVISION:		DATE:		REVISION:		DATE:	
UNIT:mm		THIRD ANGLE PROJECTION METHOD		TOL. UNLESS OTHERWISE STATED:±0.2		CODE NO.:HCH-1764	
ISSUED		CONFIRMED		PART NO.			
John		Elvis		HCH® HORNG CHIH		PJK-693	
2011.08.12		2011.08.12		ISO9001 Certified ISO14001 Certified 鴻琪股份有限公司			