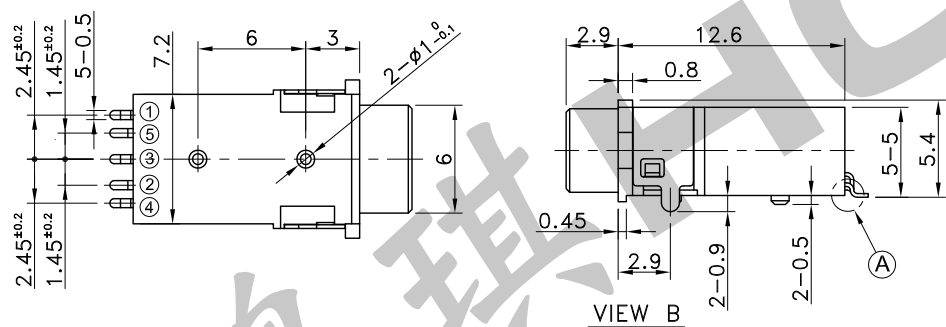
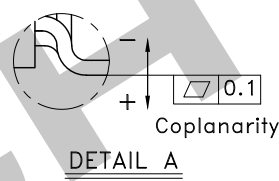
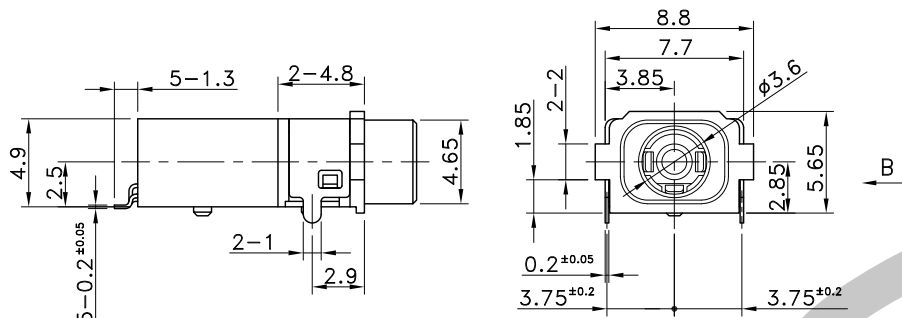
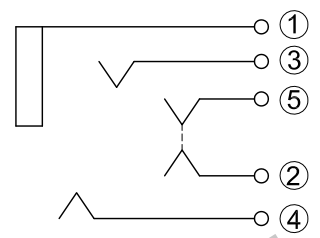
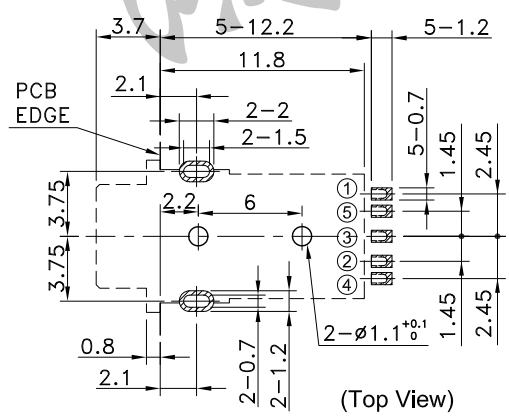


7	Shield	Brass	Nickel Plated
6	Terminal 5	Copper Alloy	Gold Flash
5	Terminal 4	Copper Alloy	Gold Flash
4	Terminal 3	Copper Alloy	Gold Flash
3	Terminal 2	Copper Alloy	Gold Flash
2	Terminal 1	Copper Alloy	Gold Flash
1	Body	PA	
No.	Parts	Material	Finish

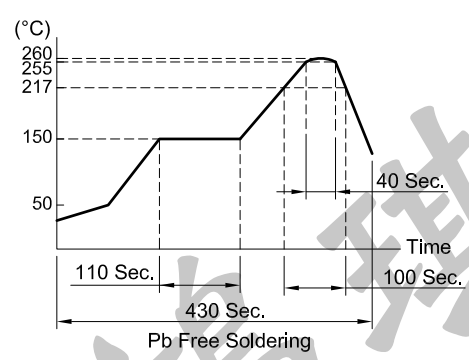


P.C.B TERMINAL POSITION

CIRCUIT ARRANGEMENT



SOLDERING CONDITIONS



SPECIFICATIONS

1. Rating : DC 12V 1A Max.
2. Contact Resistance : 50mΩ Max.
3. Insulation Resistance : 100MΩ Min. at DC 500V
4. Dielectric Strength : AC 500V for 1 Minute
5. Insertion & Extraction Force : 0.3~3kgf
6. Life : 5,000 Cycles
7. Taping Package : 800 Pcs/Reel
8. Operating Temperature Range : -25~+85°C
9. Water Proof : IPX7

REVISION:		DATE:		REVISION:		DATE:	
UNIT:mm		THIRD ANGLE PROJECTION METHOD		TOL. UNLESS OTHERWISE STATED:±0.2		CODE NO.:HCH-1892-2	
ISSUED		CONFIRMED		PART NO.		PJK-658	
John		Elvis		HCH® HORNG CHIH 鴻琪股份有限公司			
2024.07.08		2024.07.08		ISO9001 Certified ISO14001 Certified			