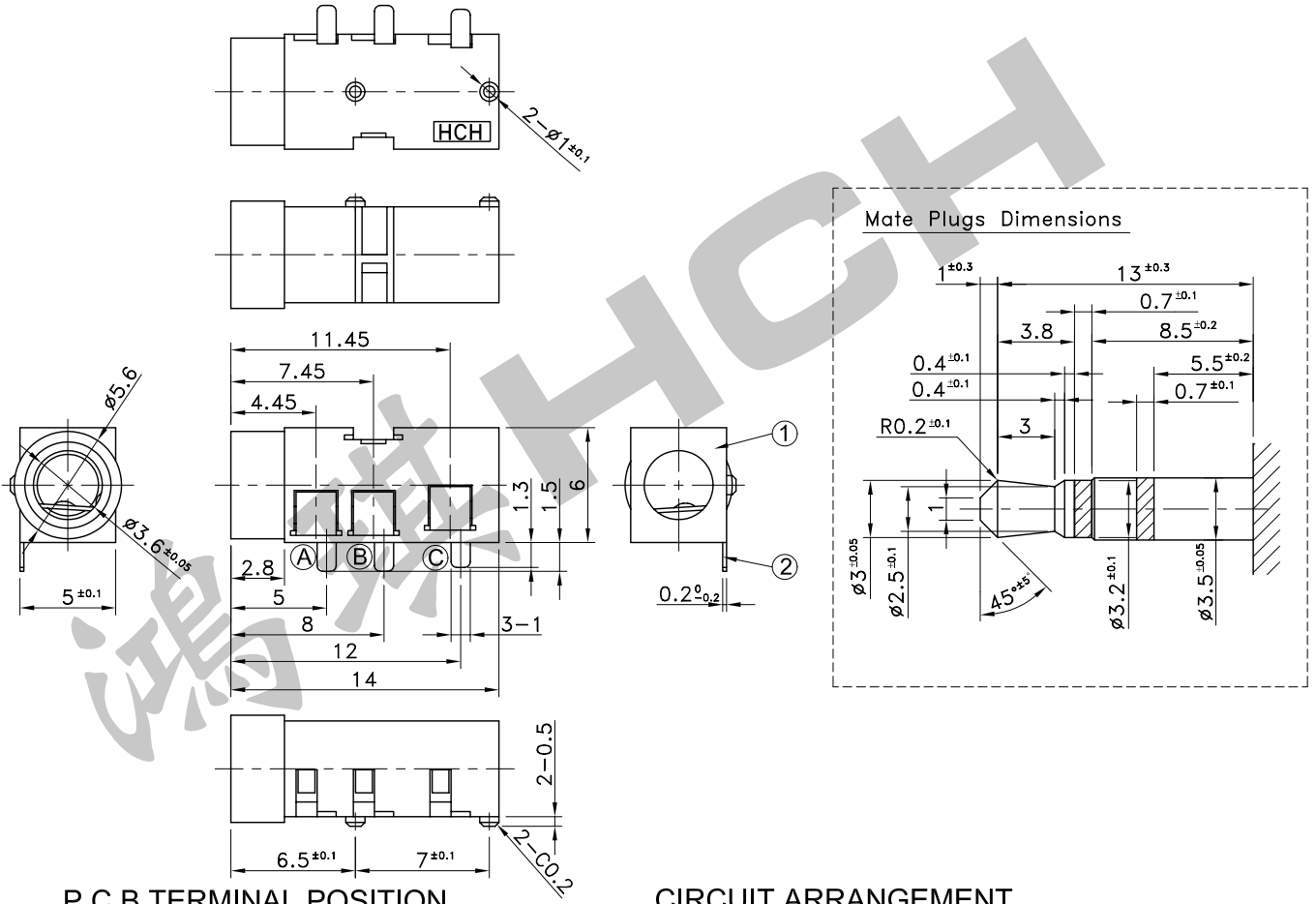
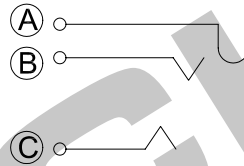
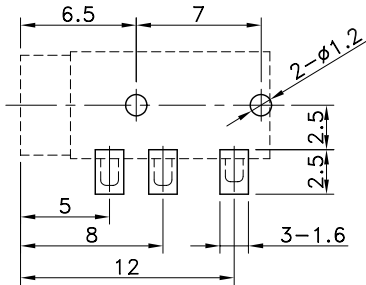


2	Spring B	t:0.2 C5210-EH	3	MBAg
1	Body	Denatured PA 6T GF 30%	1	
No.	Parts	Material	Q'ty	Remarks



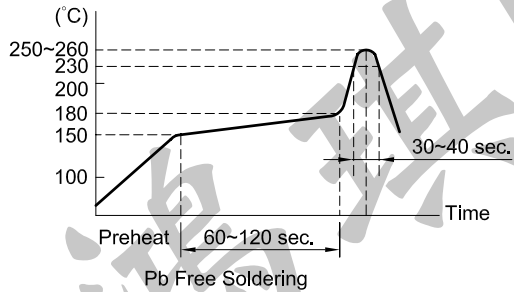
P.C.B TERMINAL POSITION

CIRCUIT ARRANGEMENT



SOLDERING CONDITIONS

SPECIFICATIONS



- 1. Rating : DC 12V 1A
- 2. Contact Resistance : Between Plug and Contact
Terminals 50mΩ Max.
Between Make and Break
Contacts 30mΩ Max.
- 3. Insulation Resistance : 100MΩ Min. at DC 100V
- 4. Dielectric Strength : AC 500V for 1 Minute
- 5. Insertion & Extraction Force : 0.4~4kgf
- 6. Life : 5,000 Cycles
- 7. Package : 900 Pcs/Reel
- 8. Reflow soldering : According Reflow Profile
Max. 2 Times

REVISION:	DATE:	REVISION:	DATE:
-----------	-------	-----------	-------

UNIT:mm	THIRD ANGLE PROJECTION METHOD	TOL. UNLESS OTHERWISE STATED:±0.3	CODE NO.:HCH-869
---------	-------------------------------	-----------------------------------	------------------

ISSUED	CONFIRMED	HORNG CHIH 鴻琪股份有限公司 ISO9001 Certified ISO14001 Certified	PART NO.
 2004.07.08	 2004.07.08		PJK-652