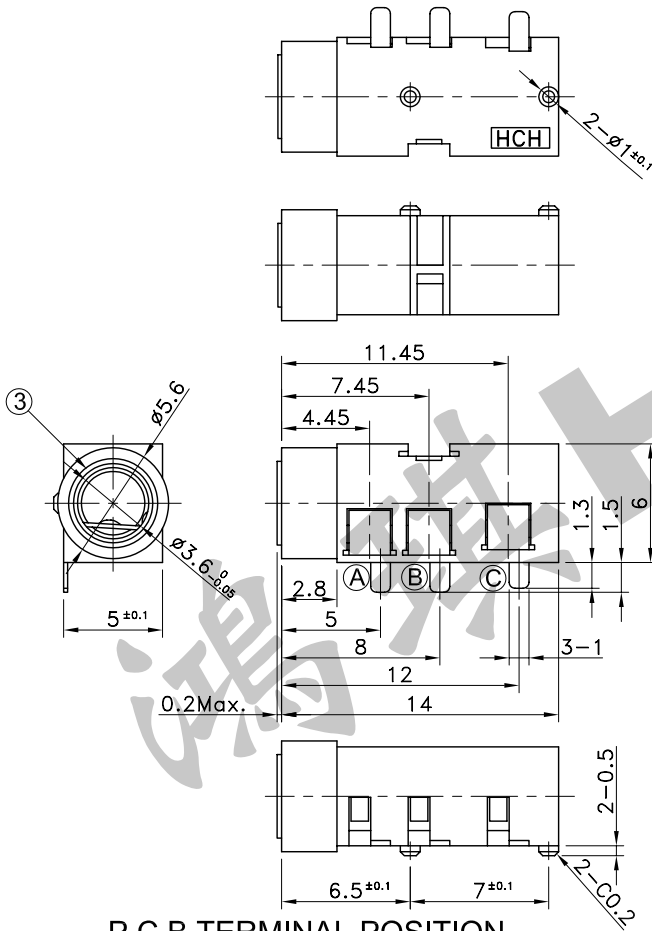
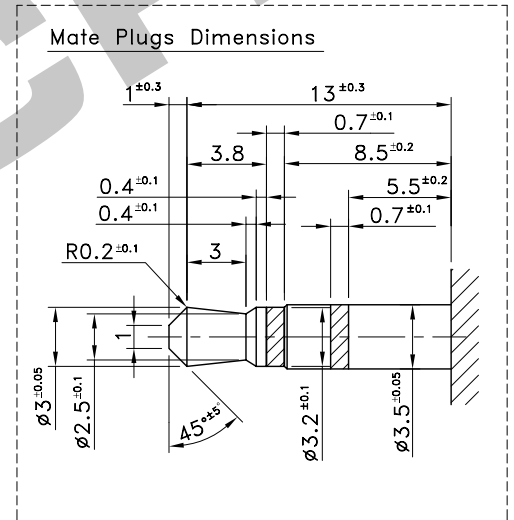


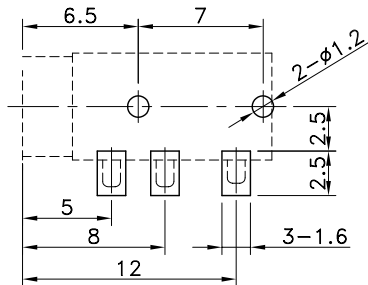
3	Metal	C3602	1	MBNI-1
2	Spring B	t:0.2 C5210-EH	3	MBAg
1	Body	Denatured PA 6T GF 30%	1	
No.	Parts	Material	Q'ty	Remarks



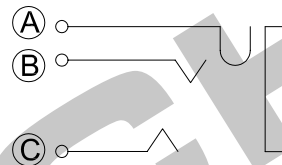
P.C.B TERMINAL POSITION



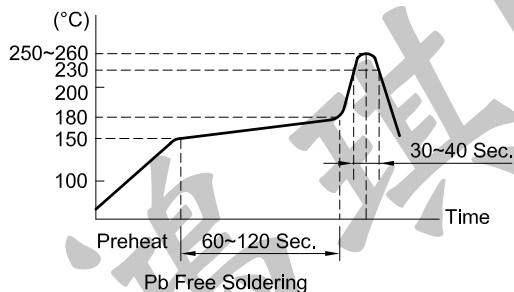
CIRCUIT ARRANGEMENT



SOLDERING CONDITIONS



SPECIFICATIONS



- | | |
|---------------------------------|---|
| 1. Rating | : DC 12V 1A |
| 2. Contact Resistance | : Between Plug and Contact
Terminals 50mΩ Max.
Between Make and Break
Contacts 30mΩ Max. |
| 3. Insulation Resistance | : 100MΩ Min. at DC 500V |
| 4. Dielectric Strength | : AC 500V for 1 Minute |
| 5. Insertion & Extraction Force | : 0.4~4kgf |
| 6. Life | : 5,000 Cycles |
| 7. Package | : 900 Pcs/Reel |
| 8. Reflow soldering | : According Reflow Profile
Max. 2 Times |

REVISION:		DATE:		REVISION:		DATE:	
UNIT:mm		THIRD ANGLE PROJECTION METHOD		TOL. UNLESS OTHERWISE STATED:±0.3		CODE NO.:HCH-868-1	
ISSUED		CONFIRMED		PART NO.		PJK-651	
John		Joey		HCH® HORNG CHIH 鴻琪股份有限公司			
2006.08.14		2006.08.14		ISO9001 Certified ISO14001 Certified			