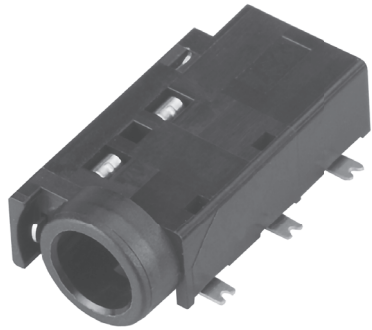


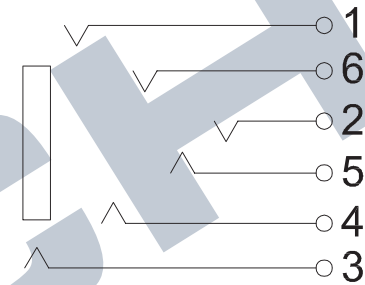
# EARPHONE JACKS

**PJK-649**  $\varnothing 3.6$  (5 POLES)

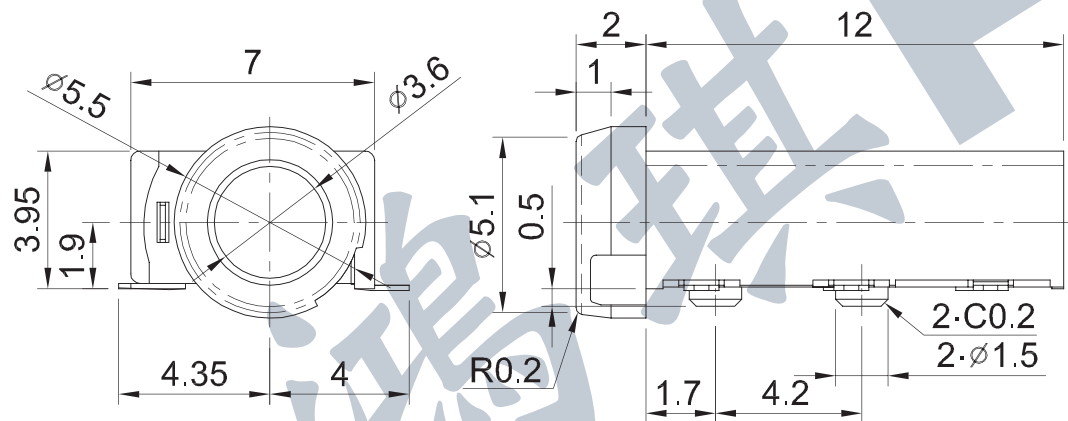
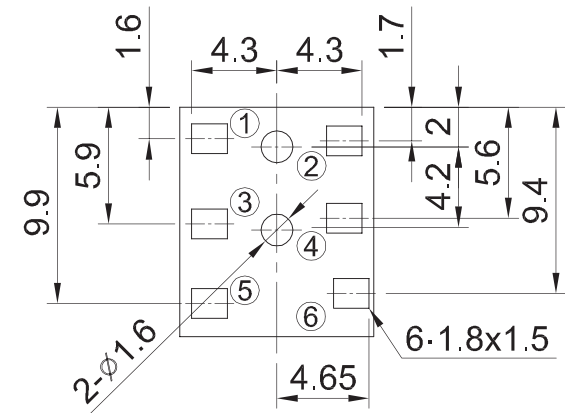
- Rating: DC12V 1A
- Force: 0.3~3.0kgf
- Life: 5,000 Cycles



Circuit



Pad Layout



TAPING PACKAGE: 700 PCS/REEL