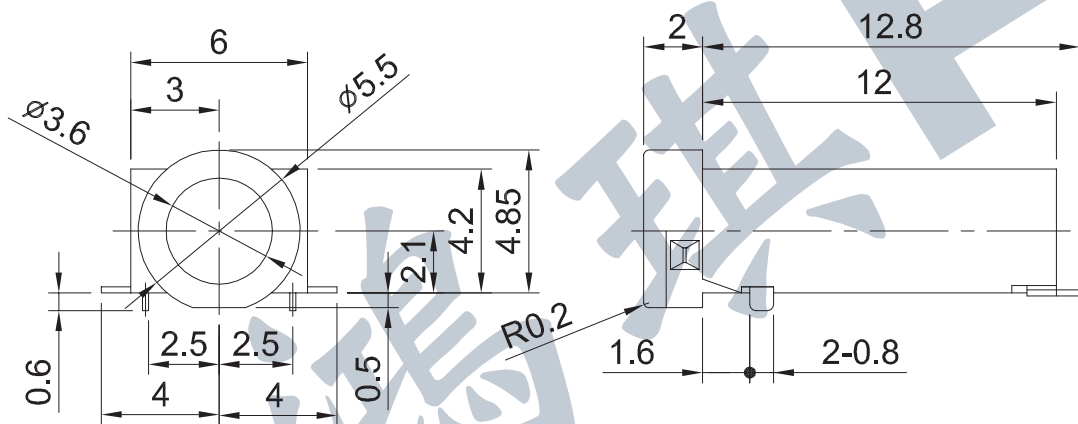


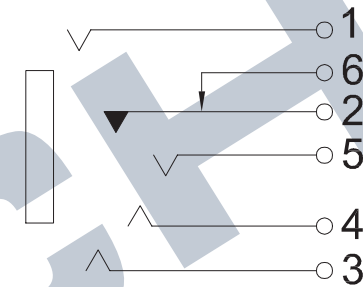
EARPHONE JACKS

PJK-642 $\varnothing 3.6$

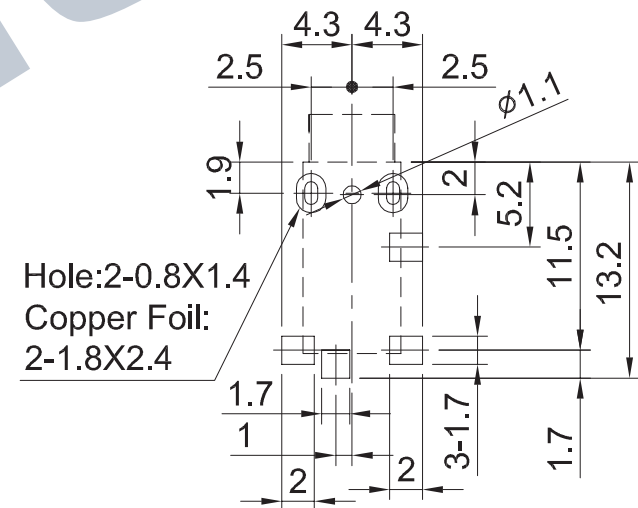
- Rating: DC12V 1A
- Force: 0.8~4.5kgf
- Life: 5,000 Cycles



Circuit



Pad Layout



TAPING PACKAGE: 1,000 PCS/REEL