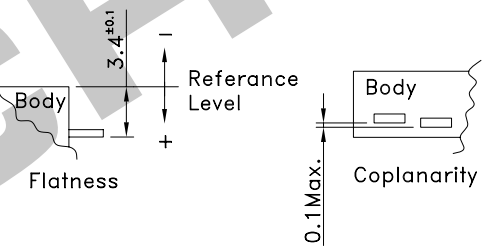
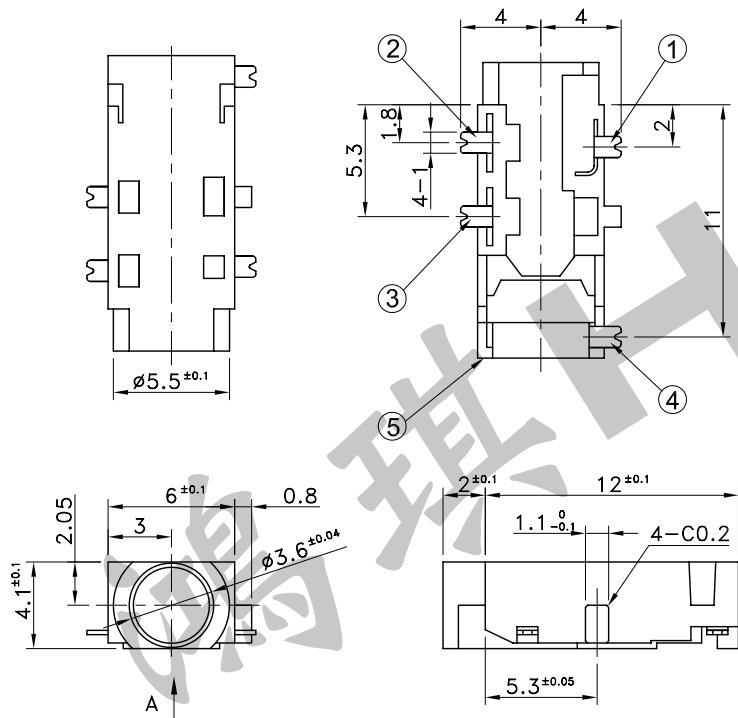


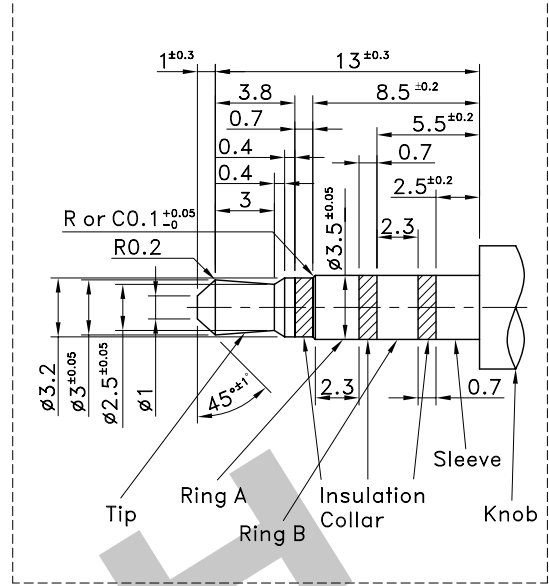
5	Body	PA46	1		UL94HB, Black
4	Resilient Terminal T	t0.2 BeCuR	1	Ag Plated	
3	Terminal C (R)	t0.2 C5210R	1	Ag Plated	
2	Terminal B (Earth)	t0.2 C5210R	1	Ag Plated	
1	Terminal A	t0.2 BeCuR	1	Ag Plated	
No.	Parts	Material	Q'ty	Finish	Remarks

VIEW A

The degree size regulation of flat

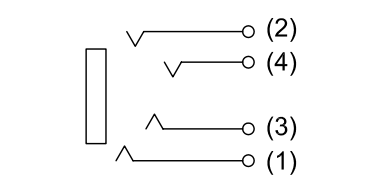
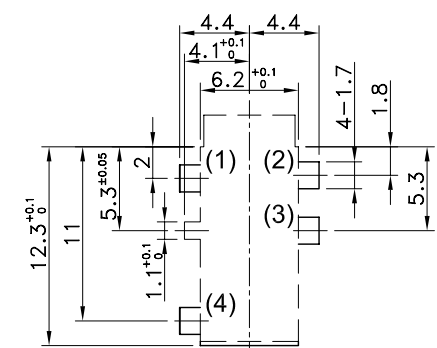


Mate Plugs Dimensions

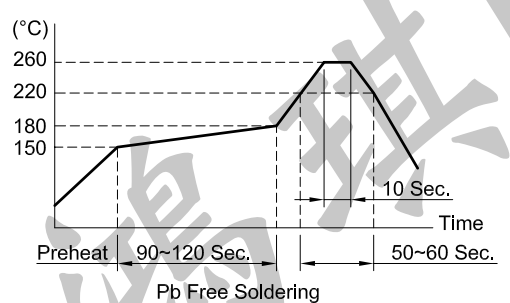


P.C.B TERMINAL POSITION

CIRCUIT ARRANGEMENT



SOLDERING CONDITIONS



SPECIFICATIONS

- 1. Rating : DC 12V 1A
- 2. Contact Resistance : 30mΩ Max.
- 3. Insulation Resistance : 100MΩ Min. at DC 500V
- 4. Dielectric Strength : AC 500V for 1 Minute
- 5. Insertion Force : 3 kgf Max.
- 6. Extraction Force : 0.5~2.5kgf
- 7. Life : 5,000 Cycles
- 8. Package : 1,500 Pcs/Reel
- 9. Operating Temperature Range : -20~+60°C
- 10. Storage Temperature Range : -30~+70°C (Bulk)  
: +5~+35°C (Taping)
- 11. Reflow Soldering Profile : According Reflow Profile  
2 Times
- 12. Manual soldering : Tip Temperature 400±10°C  
Soldering Time 3±1Sec.

REVISION: \_\_\_\_\_ DATE: \_\_\_\_\_ REVISION: \_\_\_\_\_ DATE: \_\_\_\_\_

UNIT:mm THIRD ANGLE PROJECTION METHOD TOL. UNLESS OTHERWISE STATED:±0.3 CODE NO.:HCH-1377

ISSUED	CONFIRMED		<b>HORNG CHIH</b> 鴻琪股份有限公司	PART NO.
<i>John</i> 2008.07.16	<i>Elvis</i> 2008.07.16			<b>PJK-641</b>