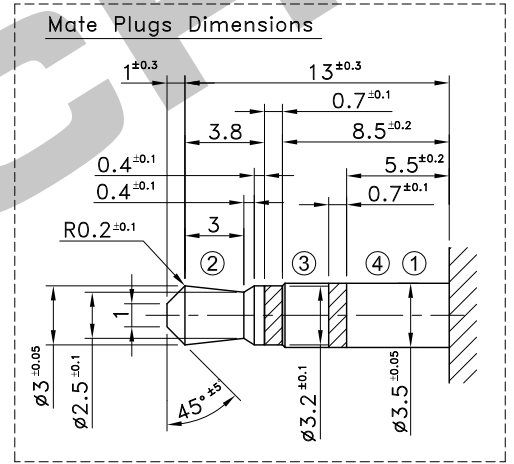
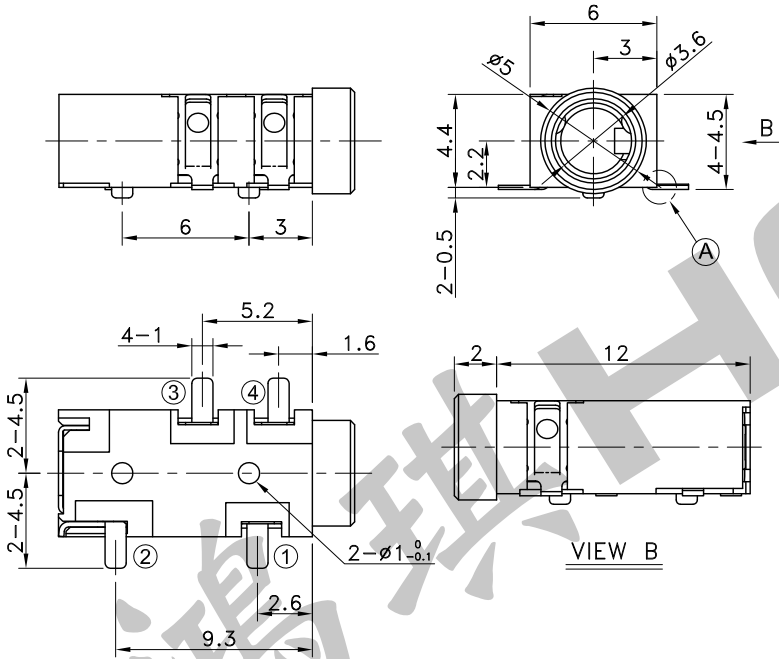
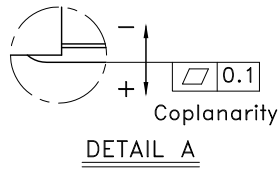
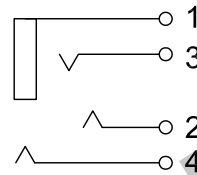
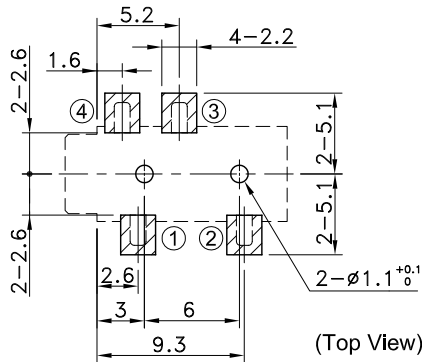


5	Terminal 4	Copper Alloy
4	Terminal 3	Copper Alloy
3	Terminal 2	Copper Alloy
2	Terminal 1	Copper Alloy
1	Body	PA
No.	Parts	Material

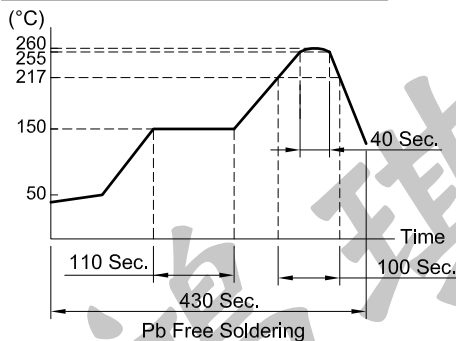


P.C.B TERMINAL POSITION

CIRCUIT ARRANGEMENT



SOLDERING CONDITIONS



SPECIFICATIONS

- Rating : DC 12V 1A Max.
- Contact Resistance : 50mΩ Max.
- Insulation Resistance : 100MΩ Min. at DC 500V
- Dielectric Strength : AC 500V for 1 Minute
- Insertion & Extraction Force : 0.3~3kgf
- Life : 5,000 Cycles
- Operating Temperature Range : -25~+85°C

REVISION:		DATE:		REVISION:		DATE:	
UNIT:mm		THIRD ANGLE PROJECTION METHOD		TOL. UNLESS OTHERWISE STATED:±0.2		CODE NO.:HCH-2359	
ISSUED		CONFIRMED		PART NO.		PJK-629	
John		Elvis		HCH® ISO9001 Certified ISO14001 Certified		HORNG CHIH 鴻琪股份有限公司	
2020.06.11		2020.06.11					