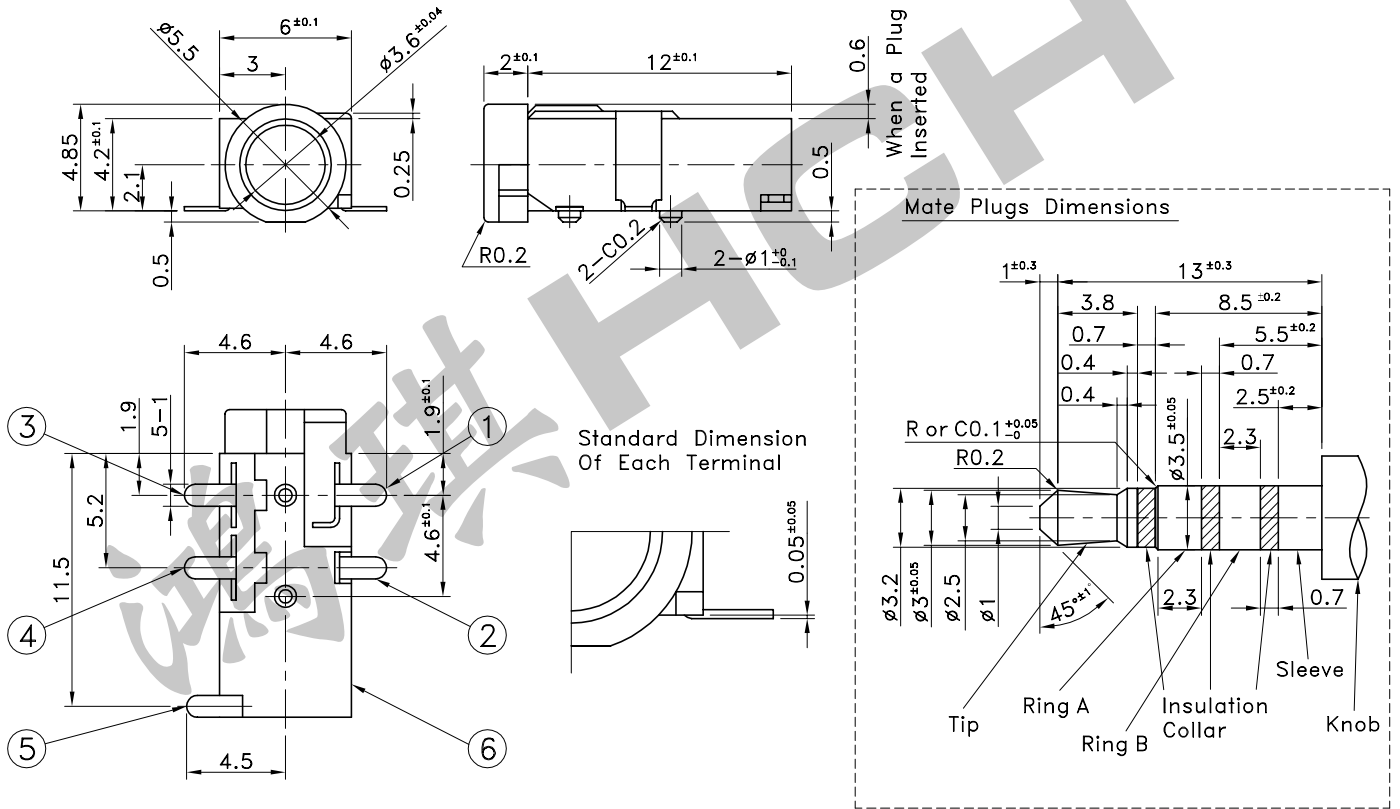
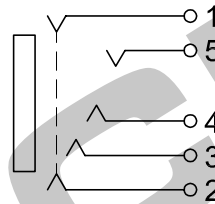
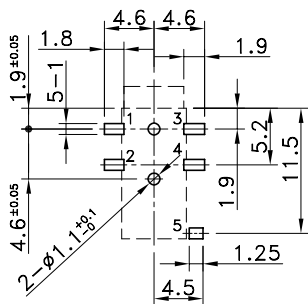


6	Body	PA46	1	UL94HB	Black
5	Resilient Terminal T	t:0.25 C1720R	1	Ag Plated	
4	Terminal C	t:0.2 TiCuR	1	Ag Plated	
3	Terminal C	t:0.2 TiCuR	1	Ag Plated	
2	Terminal B	t:0.2 TiCuR	1	Ag Plated	
1	Terminal A	t:0.2 TiCuR	1	Ag Plated	
No.	Parts	Material	Q'ty	Finish	Remarks

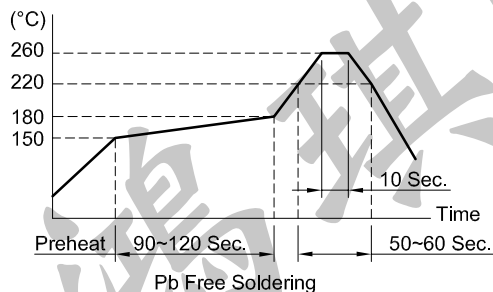


**P.C.B TERMINAL POSITION**

**CIRCUIT ARRANGEMENT**



**SOLDERING CONDITIONS**



**SPECIFICATIONS**

- |                                |                                    |
|--------------------------------|------------------------------------|
| 1. Rating                      | : DC 12V 1A                        |
| 2. Contact Resistance          | : 30mΩ Max.                        |
| 3. Insulation Resistance       | : 100MΩ Min. at DC 500V            |
| 4. Dielectric Strength         | : AC 500V for 1 Minute             |
| 5. Insertion Force             | : 3 kgf Max.                       |
| 6. Extraction Force            | : 0.5~2.5kgf                       |
| 7. Life                        | : 5,000 Cycles                     |
| 8. Package                     | : 900 Pcs/Reel                     |
| 9. Operating Temperature Range | : -20~+60°C                        |
| 10. Reflow Soldering Profile   | : According Reflow Profile 2 Times |

REVISION:		DATE:		REVISION:		DATE:	
UNIT:mm		THIRD ANGLE PROJECTION METHOD		TOL. UNLESS OTHERWISE STATED:±0.3		CODE NO.:HCH-949	
ISSUED		CONFIRMED		PART NO.		PJK-614	
 2005.08.10		 2005.08.10		 ISO9001 Certified ISO14001 Certified <b>HORNG CHIH</b> 鴻琪股份有限公司			