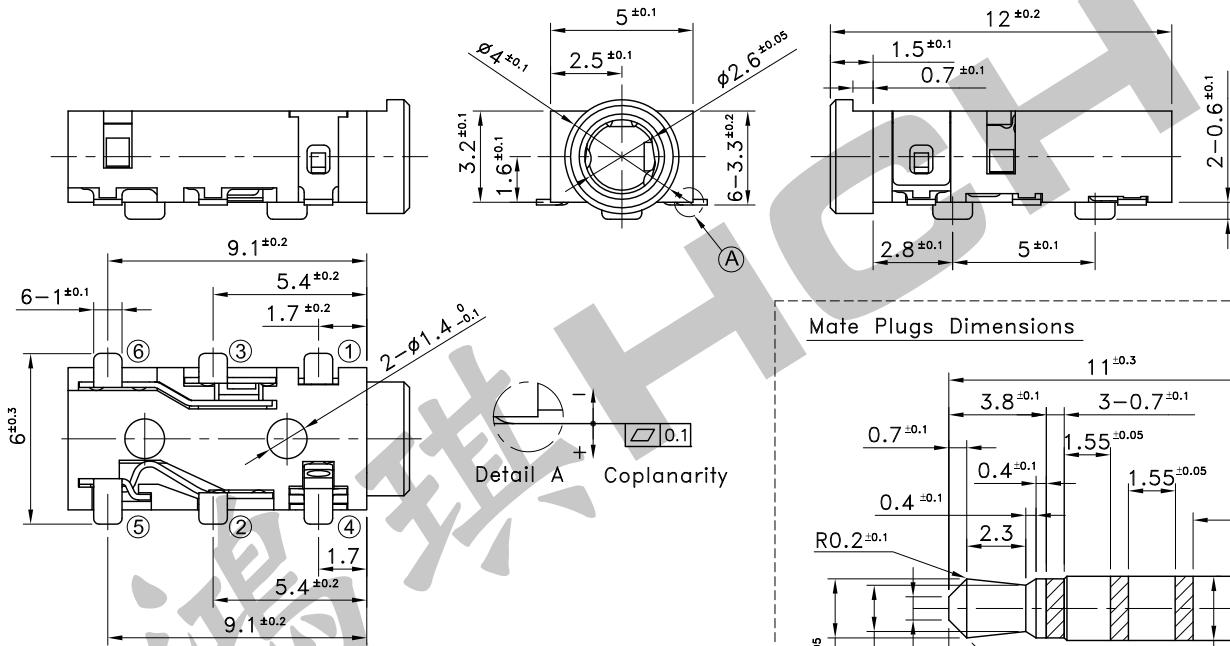


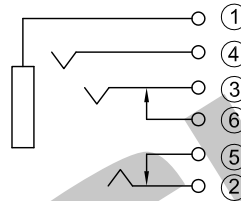
7	Terminal 6	Brass	Gold Flash
6	Terminal 5	Brass	Gold Flash
5	Terminal 4	Copper Alloy	Gold Flash
4	Terminal 3	Copper Alloy	Gold Flash
3	Terminal 2	Ti-Cu	Gold Flash
2	Terminal 1	Copper Alloy	Gold Flash
1	Body	PA	
No.	Parts	Material	Finish



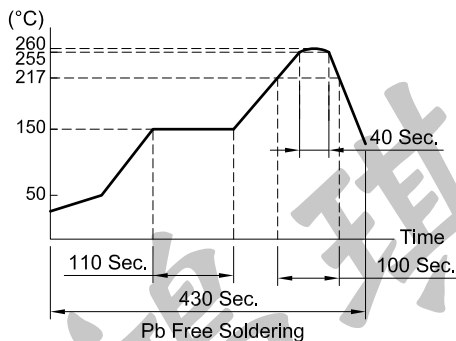
P.C.B TERMINAL POSITION

Mate Plugs Dimensions

CIRCUIT ARRANGEMENT



SOLDERING CONDITIONS



SPECIFICATIONS

- Rating : DC 12V 1A Max.
- Contact Resistance : 50mΩ Max.
- Insulation Resistance : 100MΩ Min. at DC 500V
- Dielectric Strength : AC 500V for 1 Minute
- Insertion & Extraction Force : 0.3~3kgf
- Life : 5,000 Cycles
- Taping Package : 1,000 Pcs/Reel
- Operating Temperature Range : -25~+85°C
- Reflow Soldering Profile : According Reflow Profile 2 Times

REVISION:	DATE:	REVISION:	DATE:
UNIT:mm	THIRD ANGLE PROJECTION METHOD	TOL. UNLESS OTHERWISE STATED:±0.3	CODE NO.:HCH-925-5
ISSUED	CONFIRMED	PART NO.	
John	Elvis	PJK-535A	
2015.06.01	2015.06.01	HORNG CHIH 鴻琪股份有限公司	