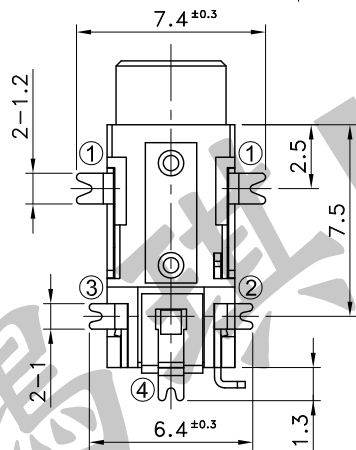
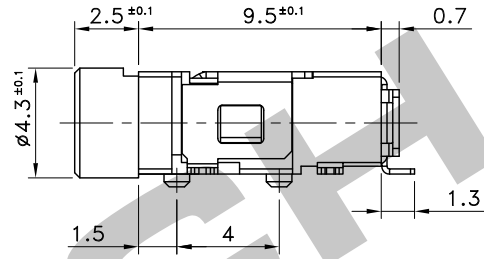
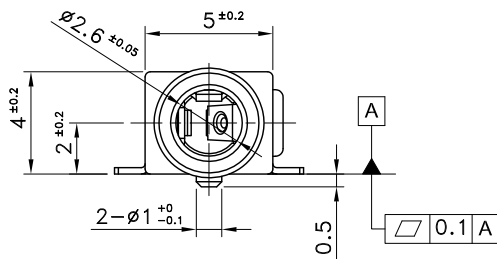
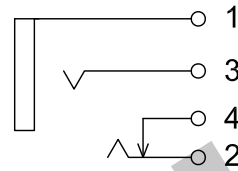
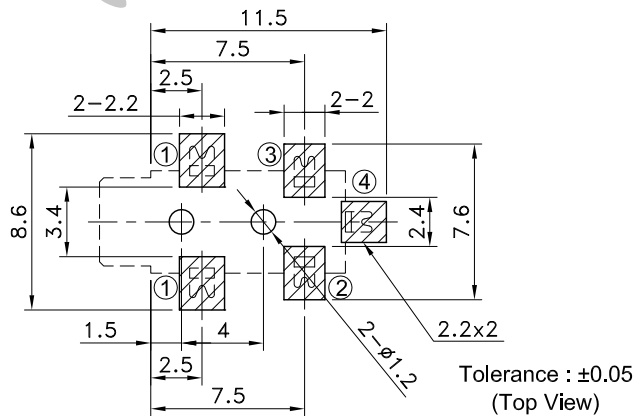


5	Terminal 4	Copper Alloy	Au
4	Terminal 3	Copper Alloy	Au
3	Terminal 2	Copper Alloy	Au
2	Terminal 1	Copper Alloy	Au
1	Body	PA10T	
No.	Parts	Material	Finish



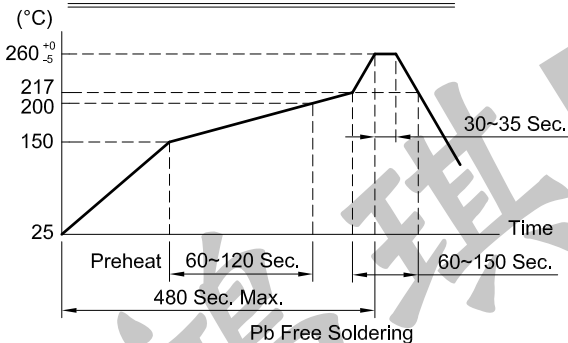
P.C.B TERMINAL POSITION

CIRCUIT ARRANGEMENT



SOLDERING CONDITIONS

SPECIFICATIONS



- Rating : DC 16V 0.3A
- Contact Resistance : [Plug to Contacts] 100mΩ Max.
[Contact to Shunt] 60mΩ Max.
- Insulation Resistance : 100MΩ Min. at DC 500V
- Dielectric Strength : AC 500V for 1 Minute
- Insertion & Extraction Force : 0.3~3kgf
- Life : 5,000 Cycles
- Package : 1,000 Pcs/Reel
- Operating Temperature Range : -25~+70°C

REVISION: _____ DATE: _____ REVISION: _____ DATE: _____

UNIT:mm THIRD ANGLE PROJECTION METHOD TOL. UNLESS OTHERWISE STATED:±0.3 CODE NO.:HCH-2507

ISSUED	CONFIRMED	HCH ISO9001 Certified ISO14001 Certified HORNG CHIH 鴻琪股份有限公司	PART NO.
<i>John</i> 2022.11.15	<i>Elvis</i> 2022.11.15		PJK-526B