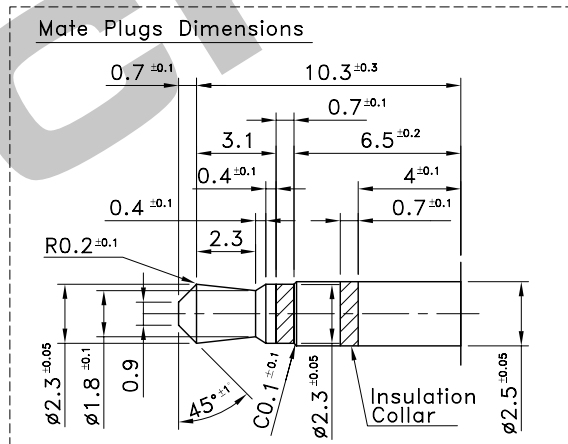
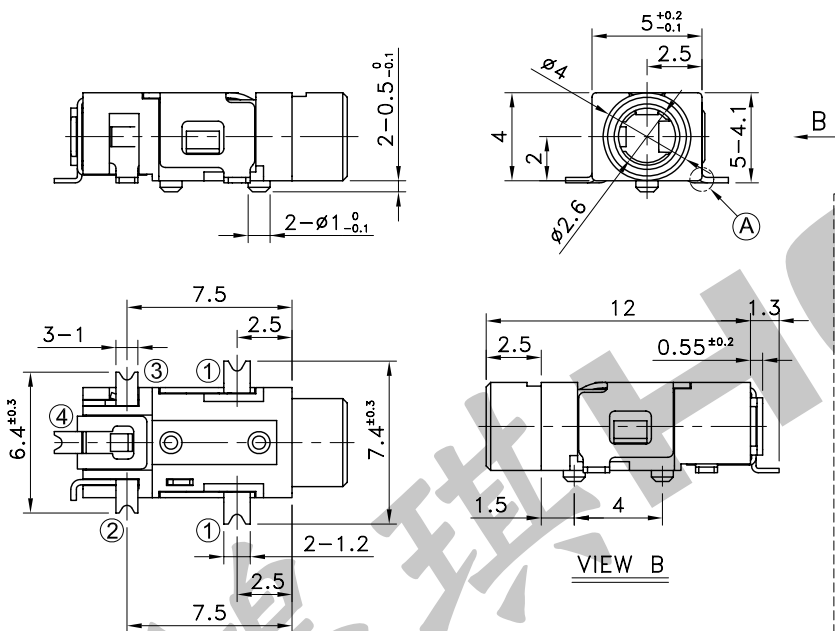
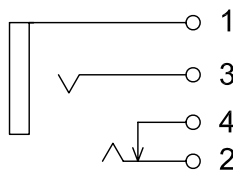
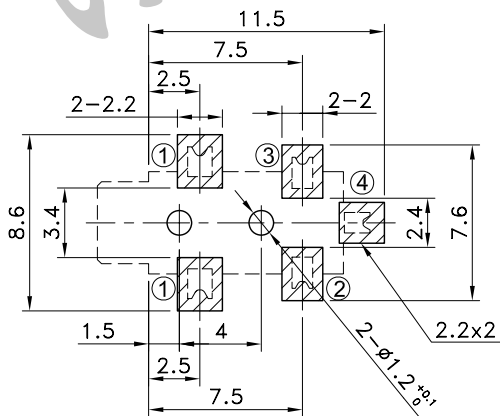


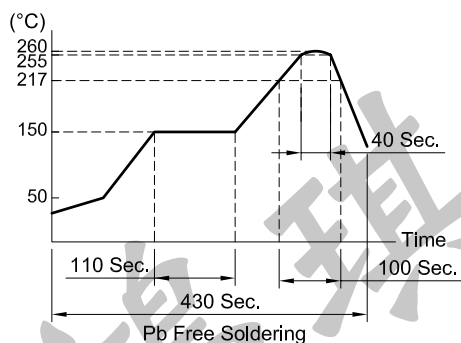
5	Terminal 4	Copper Alloy	Silver Plated
4	Terminal 3	Copper Alloy	Silver Plated
3	Terminal 2	Copper Alloy	Silver Plated
2	Terminal 1	Copper Alloy	Silver Plated
1	Body	PA	
No.	Parts	Material	Finish



### CIRCUIT ARRANGEMENT



### SOLDERING CONDITIONS



### SPECIFICATIONS

- Rating : DC 12V 1A Max.
- Contact Resistance : 50mΩ Max.
- Insulation Resistance : 100MΩ Min. at DC 500V
- Dielectric Strength : AC 500V for 1 Minute
- Insertion & Extraction Force : 0.3~3kgf
- Life : 5,000 Cycles
- Package : 1,000 Pcs/Reel
- Operating Temperature Range : -25~+85°C
- Reflow Soldering Profile : According Reflow Profile 2 Times

REVISION:

DATE:

REVISION:

DATE:

UNIT:mm

THIRD ANGLE PROJECTION METHOD

TOL. UNLESS OTHERWISE STATED:±0.3

CODE NO.:HCH-610-2

ISSUED

CONFIRMED

PART NO.

John

Elvis

**HCH**  
ISO9001 Certified  
ISO14001 Certified

**HORNG CHIH**  
鴻琪股份有限公司

**PJK-526A**

2010.05.11

2010.05.11