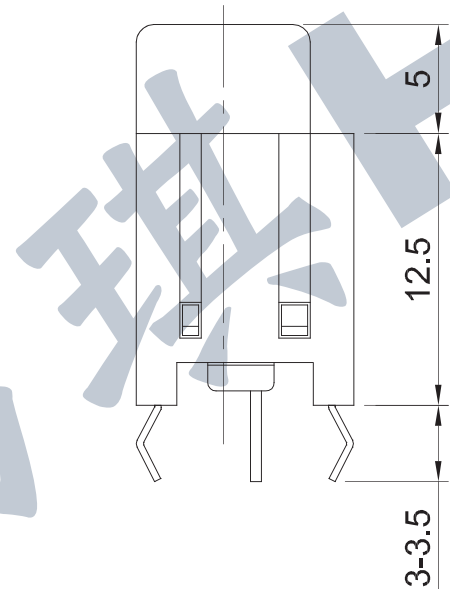
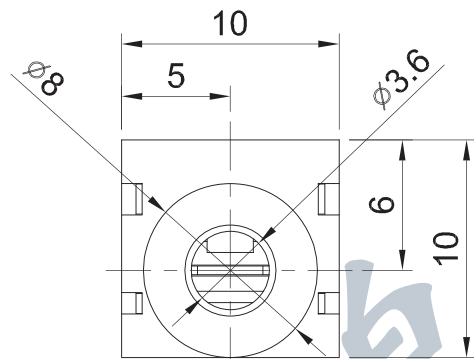
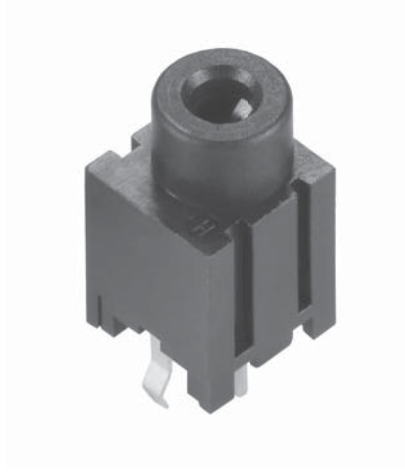


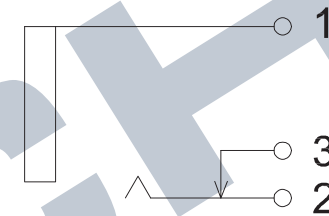
EARPHONE JACKS

PJK-496 $\varnothing 3.6$ (2 POLES WITH 1 SWITCH)

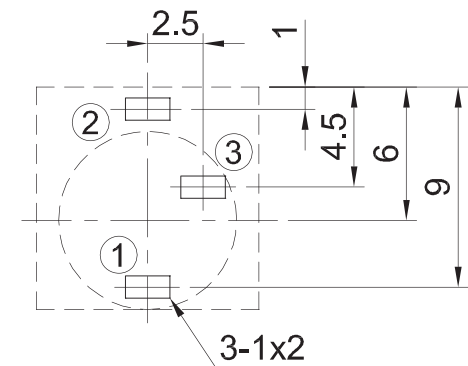
- Rating: DC12V 1A
- Force: 0.3~3.0kgf
- Life: 5,000 Cycles



Circuit



Mounting Hole Layout



(Bottom View)