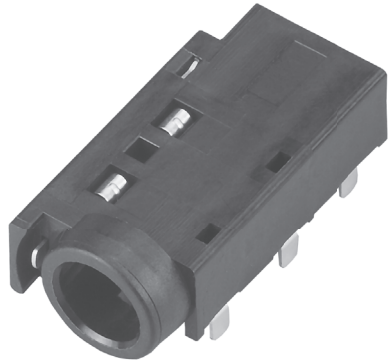


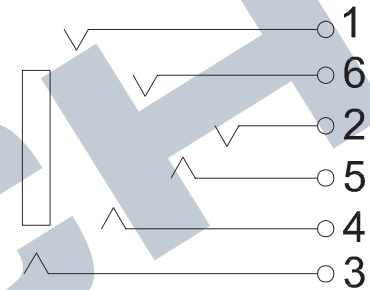
EARPHONE JACKS

PJK-436 $\varnothing 3.6$ (5 POLES)

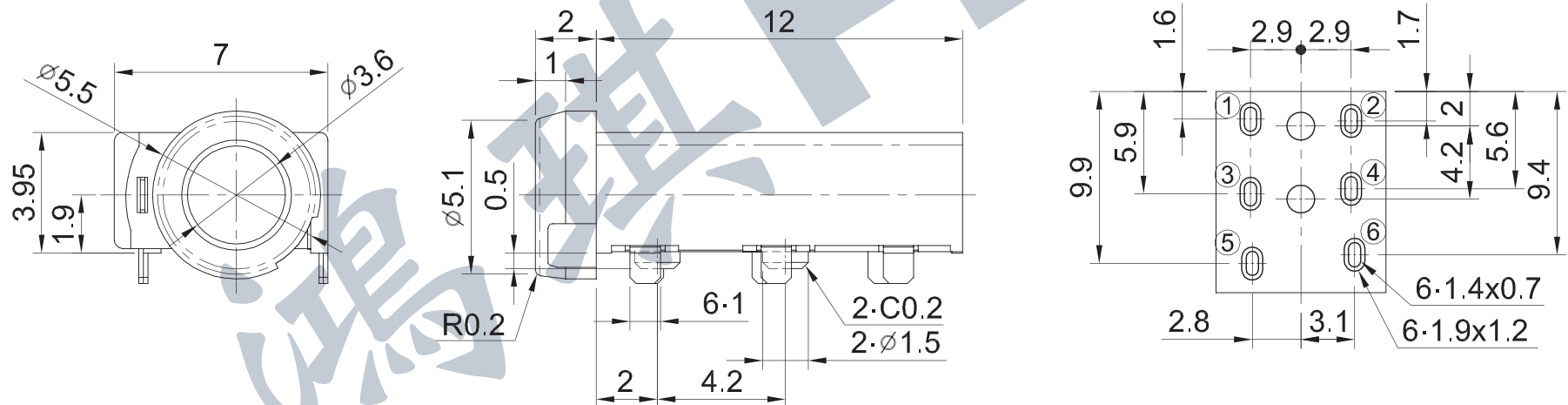
- Rating: DC12V 1A
- Force: 0.3~3.0kgf
- Life: 5,000 Cycles



Circuit



Mounting Hole Layout



TAPING PACKAGE: 700 PCS/REEL