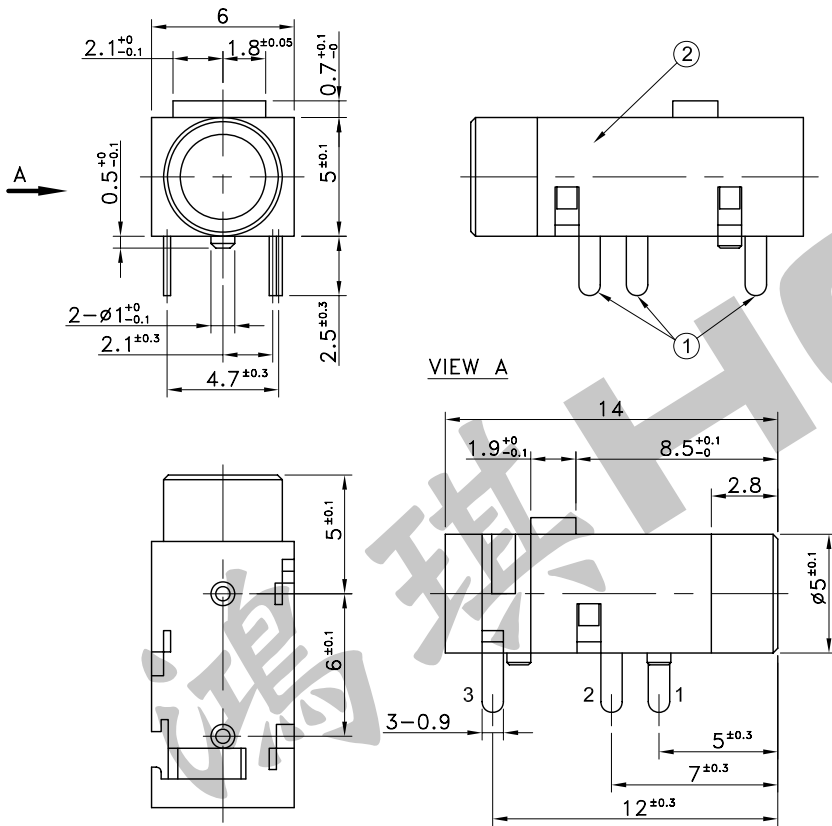
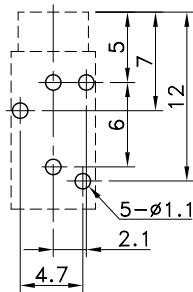


| | | | | | |
|-----|--------|--------------|------|--------------------|---------|
| 2 | Body | 66 Nylon | 1 | Glass 30% | |
| 1 | Spring | t:0.2 FAB-EH | 3 | Sn-Pb(9:1) Plating | 1μm up |
| No. | Parts | Material | Q'ty | Finish | Remarks |



P.C.B TERMINAL POSITION

CIRCUIT ARRANGEMENT



SOLDERING CONDITIONS

| | Temperature (°C) | Time (Sec.) |
|------------------|------------------|-------------------------------|
| Auto Soldering | 230±5 | 3±0.5 |
| Manual Soldering | 350±10 | 3 ⁺¹ ₋₀ |

SPECIFICATIONS

- | | |
|---------------------------------|-------------------------|
| 1. Rating | : DC 12V 1A |
| 2. Contact Resistance | : 50mΩ Max. |
| 3. Insulation Resistance | : 100MΩ Min. at DC 500V |
| 4. Dielectric Strength | : AC 500V for 1 Minute |
| 5. Insertion & Extraction Force | : 0.4~3kgf |
| 6. Life | : 5,000 Cycles |
| 7. Plastic Bag | : 500 Pcs/Pack |

| | | | |
|-------------|-------------------------------|---|--------------------|
| REVISION: | DATE: | REVISION: | DATE: |
| UNIT:mm | THIRD ANGLE PROJECTION METHOD | TOL. UNLESS OTHERWISE STATED:±0.3 | CODE NO.:HCH-627-1 |
| ISSUED | CONFIRMED | PART NO. | |
| <i>John</i> | <i>Joey</i> | PJK-425 | |
| 2006.01.03 | 2006.01.03 | HCH [®] HORNG CHIH ISO9001 Certified ISO14001 Certified 鴻琪股份有限公司 | |