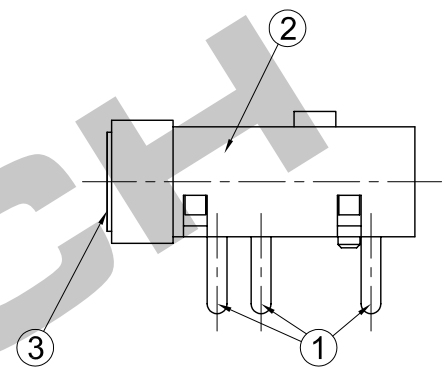
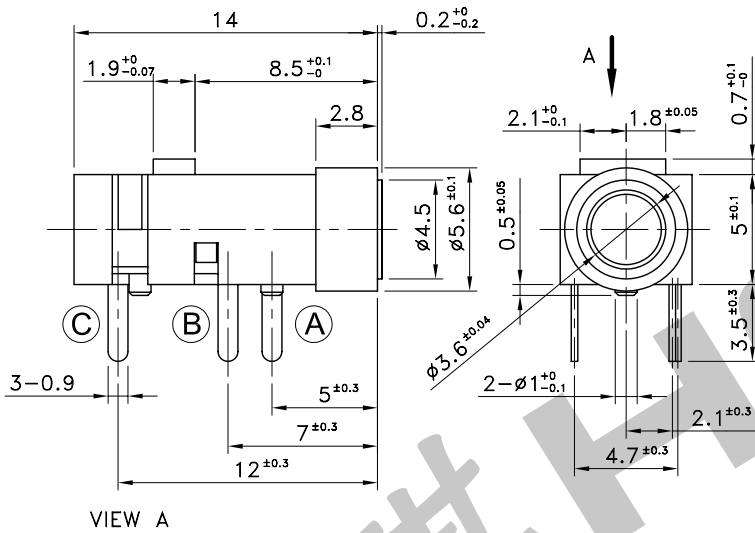
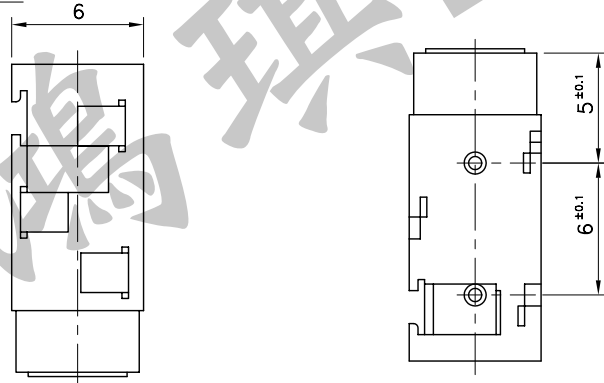


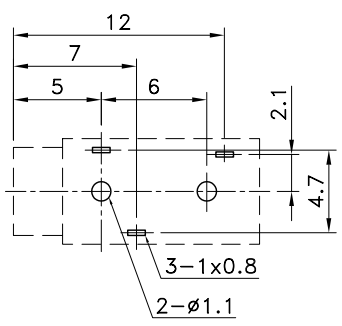
3	Metal	ø4.5 C3602	1	MBNi-1
2	Body	66 Nylon	1	Glass 30%
1	Spring	t0.2 FAB-EH	3	Sn-Pb (9:1) Plating 1µm up
No.	Parts	Material	Q'ty	Finish



VIEW A

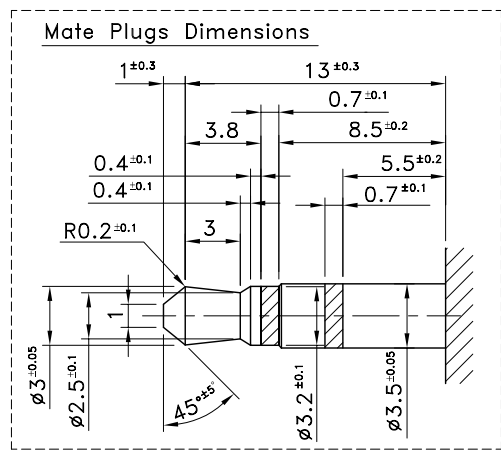


P.C.B TERMINAL POSITION

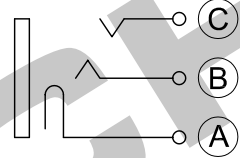


SOLDERING CONDITIONS

	Temperature (°C)	Time (Sec.)
Auto Soldering	230±5	3±0.5
Manual Soldering	350±10	3 <sup>+1</sup> <sub>-0</sub>



CIRCUIT ARRANGEMENT



SPECIFICATIONS

- 1. Rating : DC 12V 1A
- 2. Contact Resistance : 50mΩ Max.
- 3. Insulation Resistance : 100MΩ Min. at DC 500V
- 4. Dielectric Strength : AC 500V for 1 Minute
- 5. Operating Force : 0.4~3.0 kgf
- 6. Life : 5,000 Cycles
- 7. Plastic Bag : 500 Pcs/Pack

REVISION:	DATE:	REVISION:	DATE:
UNIT:mm	THIRD ANGLE PROJECTION METHOD	TOL. UNLESS OTHERWISE STATED:±0.3	CODE NO.:HCH-920-1
ISSUED	CONFIRMED	PART NO.	
John	Joey	PJK-423	
2006.01.03	2006.01.03	<b>HORNG CHIH</b> 鴻琪股份有限公司	