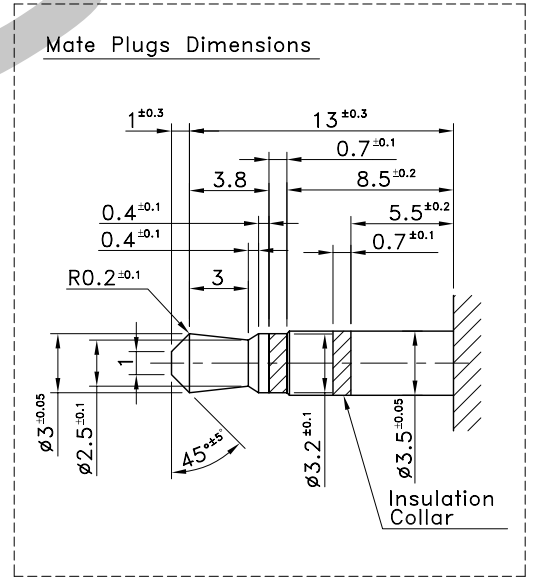
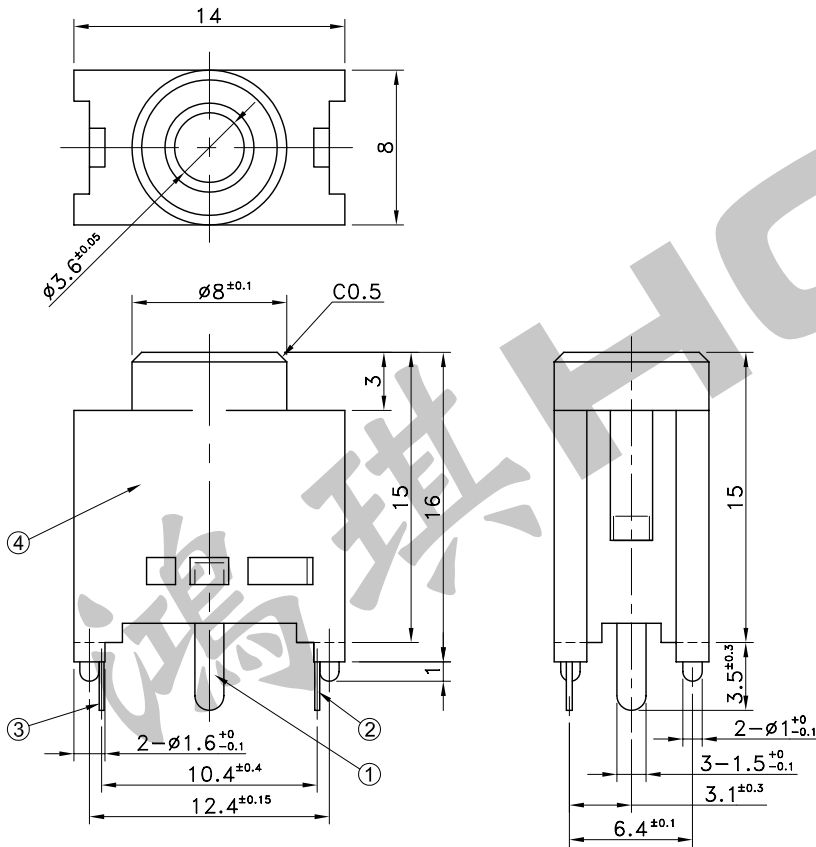
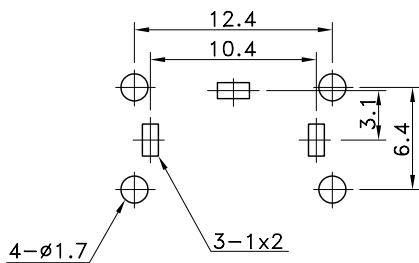


4	Body	PPE	1	Black
3	Tip Spring	t:0.3 Ycut-M-EH	1	MBAg
2	Ring Spring	t:0.25 FAB-EH	1	MBAg
1	Sleeve Spring	t:0.2 FAB-EH	1	MBAg
No.	Parts	Material	Q'ty	Finish



### P.C.B TERMINAL POSITION

### CIRCUIT ARRANGEMENT



### SOLDERING CONDITIONS

### SPECIFICATIONS

	Temperature (°C)	Time (Sec.)
Auto Soldering	230±5	3±0.5
Manual Soldering	350±10	3 <sup>+1</sup> <sub>-0</sub>

- Rating : DC 12V 1A
- Contact Resistance : 30mΩ Max.
- Insulation Resistance : 100MΩ Min. at DC 500V
- Dielectric Strength : AC 500V for 1 Minute
- Insertion & Extraction Force : 0.4~3kgf
- Life : 5,000 Cycles
- Plastic Bag : 250 Pcs/Pack

REVISION:		DATE:		REVISION:		DATE:	
UNIT:mm	THIRD ANGLE PROJECTION METHOD	TOL. UNLESS OTHERWISE STATED:±0.3		CODE NO.:HCH-626-1			
ISSUED	CONFIRMED	<b>HCH</b> ISO9001 Certified ISO14001 Certified <b>HORNG CHIH</b> 鴻琪股份有限公司		PART NO.			
John	Joey			PJK-420			
2006.01.03	2006.01.03						