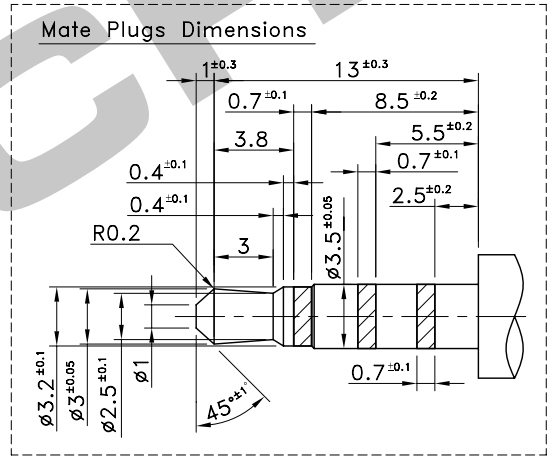
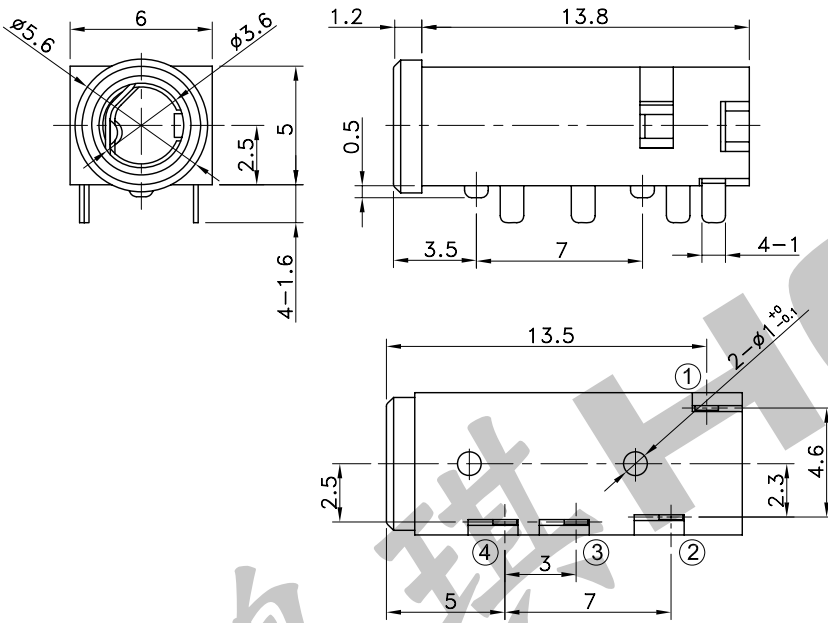
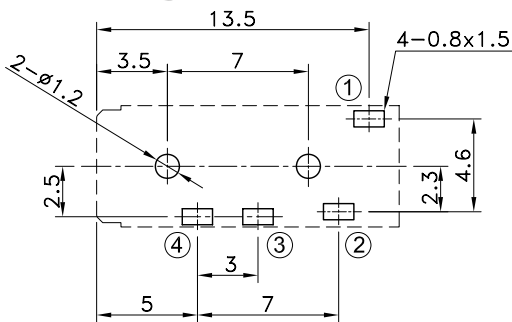


5	Terminal 4	Copper Alloy	Tin Plated
4	Terminal 3	Copper Alloy	Tin Plated
3	Terminal 2	Copper Alloy	Tin Plated
2	Terminal 1	Copper Alloy	Tin Plated
1	Body	PA	
No.	Parts	Material	Finish



### P.C.B TERMINAL POSITION

### CIRCUIT ARRANGEMENT



(Bottom View)

Part No.	Circuit Diagram	Terminal Arrangement Figure
PJK-403		
PJK-404		

### SOLDERING CONDITIONS

### SPECIFICATIONS

	Temperature (°C)	Time (Sec.)
Auto Soldering	260±5	5±0.5

- Rating : DC 12V 1A Max.
- Contact Resistance : 50mΩ Max.
- Insulation Resistance : 50MΩ Min. at DC 500V
- Dielectric Strength : AC 500V for 1 Minute
- Insertion & Extraction Force : 0.3~3kgf
- Life : 5,000 Cycles
- Operating Temperature Range : -25~+85°C

REVISION:	DATE:	REVISION:	DATE:
UNIT:mm	THIRD ANGLE PROJECTION METHOD	TOL. UNLESS OTHERWISE STATED:±0.3	CODE NO.:HCH-1611-1
ISSUED	CONFIRMED	PART NO.	
John	Elvis	PJK-403	
2012.03.23	2012.03.23	PJK-404	
		<b>HORNG CHIH</b> 鴻琪股份有限公司	