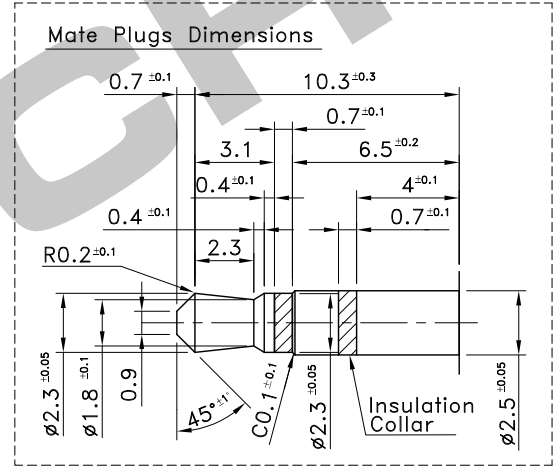
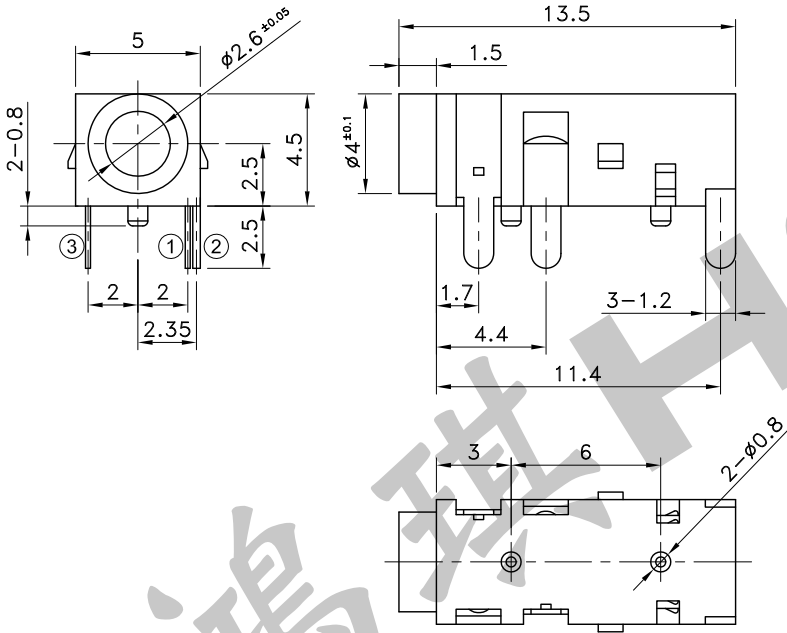
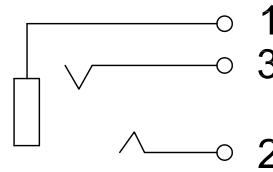
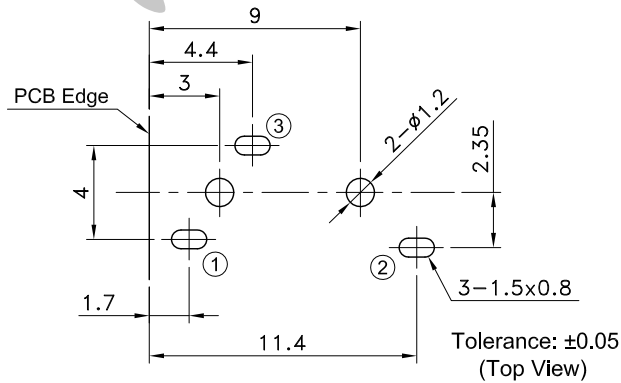


4	Tip Shunt	t0.3 Copper Alloy	1	Gold Flash	
3	Ring Contact	t0.2 Copper Alloy	1	Gold Flash	
2	GND Contact	t0.2 Copper Alloy	1	Gold Flash	
1	Housing	PA10T	1		UL 94V-0, Black
No.	Parts	Material	Q'ty	Finish	Remarks

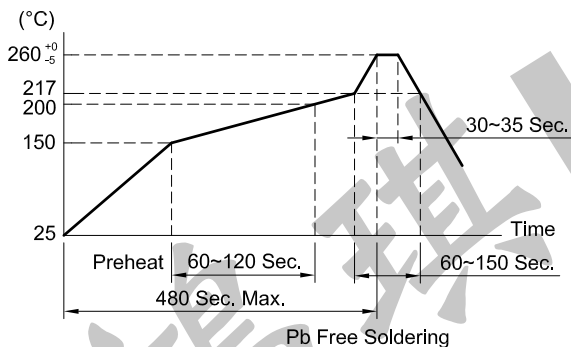


**P.C.B TERMINAL POSITION**

**CIRCUIT ARRANGEMENT**



**SOLDERING CONDITIONS**



**SPECIFICATIONS**

- Rating : DC 30V 0.5A
- Contact Resistance : 50mΩ Max.
- Insulation Resistance : 100MΩ Min. at DC 500V
- Dielectric Strength : AC 500V for 1 Minute
- Insertion & Extraction Force : 0.3~3kgf
- Life : 5,000 Cycles
- Operating Temperature Range : -25~+85°C
- Auto soldering : Solder Temperature 260±5°C  
Solder Time 10±2 Sec.

REVISION:		DATE:		REVISION:		DATE:	
UNIT:mm		THIRD ANGLE PROJECTION METHOD		TOL. UNLESS OTHERWISE STATED:±0.3		CODE NO.:HCH-2490-1	
ISSUED		CONFIRMED		PART NO.		PJK-328-GA	
John		Elvis		HCH® HORNG CHIH ISO9001 Certified ISO14001 Certified 鴻琪股份有限公司			
2022.12.05		2022.12.05					